

MKD AND MKD2 Suspended Platforms Assembly Instructions and Parts List



1501 Rock Mountain Blvd.
Stone Mountain, GA 30083
Tel: 770/939/7705
800/255/4629
Fax: 770/493/7392
Web: www.skyclimber.com

SKY CLIMBER®

Your Local Sky Climber Representative Is:

SKY CLIMBER® MKD and MKD2

Assembly Instructions and Parts List

Welcome to the ever growing group of Sky Climber Equipment Operators. This Manual will guide you through the parts and assembly of Sky Climber's MKD and MKD2 Modular Knock-Down Suspended Platforms.

Sky Climber Suspended Platforms are an integral part of a total Suspended Platform System made up of Rigging, Wire Rope, a Power Supply, Hoists, the Platform, Fall Arrest/Safety Equipment and Accessories. Understanding the complete system will protect you in the safe use of a Suspended Platform.

This information is a guide only and is not a complete list of safety rules, installation or operation instructions.

Sky Climber Suspended Platforms are designed and manufactured to the highest standards in the industry. It is impossible, however, for Sky Climber, Inc. to know, evaluate and advise on every conceivable way our products are used or serviced and of all possible hazardous consequences.

Therefore all operators must satisfy themselves that the procedure they use will not jeopardize their safety, the safety of others or cause product or component damage.

Sky Climber, Inc. reserves the right to continually improve its products. Every effort has been made to make this manual as accurate as possible at time of publication; however, there may be product changes which are not detailed in the Manual.

If you have any questions or would like to know more about training in the use of Sky Climber equipment, contact your Sky Climber Representative.

TABLE OF CONTENTS

SAFETY

Safety Guidelines	2
Warning Decals	2

MKD2

Assembly	3
MKD2 Decal	7
Parts Breakdown	4
Weights & Capacities	5
Configurations	5
Configuration Components	5

MKD STANDARD

Assembly	6
MKD Decal 111-443	7
Parts Breakdown	9
Weights & Capacities	10
Configurations	10
Configuration Components ..	10

MKD EXTENDED

Assembly	11
Parts Breakdown	12
Weights & Capacities	13
Configurations	13
Configuration Components ..	14

SKY CLIMBER® MKD Configuration

Using Extensions and Walk Thru Stirrups

LENGTH	PARTNO.	SID STIRRUP	STIRRUP ASSY	CONNECT FRAME	FLOOR SECTION		SIDE PANEL		TOP RAIL		EXT STIRRUCTION	SECT. FLOOR	FLOOR PINS	WALL ROLLER
					10FT FLOOR	5FT FLOOR	10FT SIDE PANEL	5FT SIDE PANEL	10FT SIDE RAIL	5FT SIDE RAIL				
7.5 ft	111-415-07.5S	1	1	1	-	1	-	2	-	2	1	1	3	2
10 ft	111-415-10S	-	2	2	-	1	-	2	-	2	2	2	4	2
12.5ft	111-415-12.5S	1	1	1	1	-	2	-	2	-	1	1	3	2
15 ft	111-415-15S	-	2	2	1	-	2	-	2	-	2	2	4	2
17.5ft	111-415-17.5S	1	1	2	1	1	2	2	2	2	1	1	5	2
20 ft	111-415-20S	-	2	3	1	1	2	2	2	2	2	2	6	2
22.5ft	111-415-22.5S	1	1	2	2	-	4	-	4	-	1	1	5	2
25 ft	111-415-25S	-	2	3	2	-	4	-	4	-	2	2	6	2
27.5ft	111-415-27.5S	1	1	3	2	1	4	2	4	2	1	1	7	2
30 ft	111-415-30S	-	2	4	2	1	4	2	4	2	2	2	8	2
32.5ft	111-415-32.5S	1	1	3	3	-	6	-	6	-	1	1	7	2
35 ft	111-415-35S	-	2	4	3	-	6	-	6	-	2	2	8	2
37.5ft	111-415-37.5S	1	1	4	3	1	6	2	6	2	1	1	9	2
40 ft	111-415-40S	-	2	5	3	1	6	2	6	2	2	2	10	2
42.5ft	111-415-42E	1	1	5	3	2	6	4	6	4	1	1	11	2
45 ft	111-415-45E	-	2	6	3	2	6	4	6	4	2	2	12	2

S

Conformance to the Configurations as shown in this table is critical to the safe use of MKD using extensions..

Use of other configurations or greater weights could result in serious injury.

Never have joint in the middle except for the -20S.

Do not use four 10 ft. sections to form a 40 ft. platform. To do so will result in equipment damage and possible serious injury.

If you have any questions, contact Sky Climber, Inc. at 800-255-4629.

SKY CLIMBER® MKD EXTENDED

Weights, Capacities & Configurations

LENGTH	PARTNO.	TOTAL WEIGHT	RATED CAPACITY	PLATFORM CONFIGURATION						
				E	5					
7.5 ft.	111-415-07.5E	302	1250	E	5					
10 ft.	111-415-10E	400	1250	E	2.5	5				
10 ft.	111-415EE	418	1250	E	5	E				
12.5 ft.	111-415-12.5E	349	1250	E	10					
12.5 ft.	111-415-12.5EE	367	1250	E	5	2.5	E			
15 ft.	111-415-15E	465	1250	E	10	2.5				
15 ft.	111-415-EE	483	1250	E	10	E				
17.5 ft.	111-415-17.5S	490	1250	E	10	5				
17.5 ft.	111-415-17.5EE	508	1250	E	10	2.5	E			
20 ft.	111-415-20E	569	1250	E	5	10	2.5			
20 ft.	111-415-20EE	587	1250	E	10	5	E			
22.5 ft.	111-415-22.5E	555	1250	E	10	10				
22.5 ft.	111-415-22.5EE	573	1250	E	5	10	2.5	E		
25 ft.	111-415-25E	634	1250	E	10	10	2.5			
25 ft.	111-415-25EE	652	1250	E	10	10	E			
27.5 ft.	111-414-27.5E	659	1250	E	10	10	5			
27.5 ft.	111-415-27.5EE	677	1250	E	10	10	2.5	E		
30 ft.	111-415-30E	739	1250	E	10	10	5	2.5		
30 ft.	111-415-30EE	757	1250	E	10	5	10	E		
32.5 ft.	111-415-32.5E	724	1250	E	10	10	10			
32.5 ft.	111-415-32.5EE	742	1250	E	10	10	5	2.5	E	
35 ft.	111-415-35E	804	750	E	10	10	10	2.5		
35 ft.	111-415-35EE	822	1250	E	10	10	10	E		
37.5 ft.	111-415-37E	828	750	E	5	10	10	10		
37.5 ft.	111-415-37.5EE	846	750	E	10	10	10	2.5	E	
40 ft.	111-415-40E	908	750	E	5	10	10	10	2.5	
40 ft.	111-415-40EE	926	750	E	10	10	10	5	E	
42.5 ft.	111-415-42.5E	933	750	E	5	10	10	10	5	
42.5 ft.	111-415-42.5EE	951	750	E	5	10	10	10	2.5	E
45 ft.	111-415-45EE	1030	750	E	5	10	10	10	5	E

S Conformance to the Rated Capacities and Configurations as shown in these tables is critical to the safe use of MKD2. Use of other configurations or greater weights could result in serious injury.

Never have joint in the middle except for the -20S.

Do not use four 10 ft. sections to form a 40 ft. platform.

To do so will result in equipment damage and possible serious injury.

Sky Climber MKD Platforms meet or exceed OSHA requirements and are U.L. Classified.

If you have any questions contact Sky Climber, Inc. at 800-255-4629

SKY CLIMBER®

For Your Safety

S Severe injury or death can result from improper assembly or use of this suspended platform equipment.

Do not use Suspended Platform equipment unless:

- You READ, UNDERSTAND AND FOLLOW the codes of Safe Practice governing this equipment.
- You are wearing properly rigged personal safety equipment.
- You comply with the platform assembly and use instructions, as well as all safety information.

Be aware that the platform is only one component of a powered suspended platform system.

- You must comply with each manufacturer's / supplier's instructions, OSHA, ANSI and other applicable Codes of Safe Practices.

MKD and MKD2 Platform assembly and use instructions are available at no charge from Sky Climber, Inc.


- You must read and understand this information before using this equipment.

Stop using this platform immediately if any components do not function properly - Call your supervisor for help.

Only trained personnel are to erect and use this equipment.

WARNING

Do not use four 10 ft. sections to form a 40 ft. platform. To do so could result in equipment damage and possible serious injury.



P/N111-555

WARNING


WARNING - ELECTRIC SHOCK HAZARD
METAL SCAFFOLD NG DEVICES SHOULD NOT BE USED WHERE CONTACT MAY BE MADE WITH ELECTRICAL CIRCUITS. REFER TO INSTRUCT ON DECAL AND OWNER'S MANUAL

WARNING - CORROSIVE SUBSTANCE HAZARD
ACIDS AND OTHER CORROSIVE SUBSTANCES MAY SEVERELY AFFECT THE STRENGTH OF METAL SCAFFOLDING DEVICES. USE EXTREME CARE AROUND SUCH MATERIALS AND FOLLOW INSTRUCTIONS.

106-227

P/N106-227

WARNING



Before using, putting up or taking down this suspended scaffold CHECK WITH YOUR BOSS AS TO ITS SAFE USE. There are many ways YOU CAN BE hurt or even KILLED using scaffolds. REVIEW THE SAFETY GUIDELINES WITH YOUR BOSS.

#59F951A1992

WARNING

P/N 111-507

WARNING

-BEFORE USING, CHECK ALL PARTS FOR PROPER FUNCTION AND DAMAGE TO COMPONENT PARTS. DO NOT USE A DAMAGED PLATFORM

-ANY PLATFORM PART EXPOSED TO EXCESSIVE HEAT, AS IN THE CASE OF FIRE, SHOULD BE IMMEDIATELY REMOVED FROM SERVICE AND DESTROYED DUE TO LOSS OF STRUCTURAL STRENGTH

-DO NOT PERMIT OIL, GREASE OR SLIPPERY MATERIAL TO ACCUMULATE ON PLATFORM DECK SURFACE

-THE TOTAL COMBINED WEIGHT OF EACH MAN AND ALL MATERIALS SHOULD NOT EXCEED THE RATED WORKING LOAD.

-DO NOT USE THE PRODUCT IF THE DECKING SURFACE IS DAMAGED OR HAS DETERIORATED IF WOOD IS USED PERIODICALLY COAT WOOD DECKING WITH A CLEAR WOOD PRESERVATIVE. DO NOT PAINT WOOD DECKING.

-DO NOT ALLOW UNSTABLE OBJECTS, SUCH AS BARRELS, BOXES, LOOSE BRICK, TOOLS AND DEBRIS TO ACCUMULATE ON WORK SURFACE

-DO NOT APPLY IMPACT LOADS TO A PLATFORM. NEVER ATTEMPT TO STRAIGHTEN A DEFORMED STRUCTURAL OR DECKING MEMBER.

-NEVER CLIMB ONTO A PLATFORM FROM A LADDER UNLESS BOTH THE PLATFORM AND THE LADDER ARE SECURED FROM MOVEMENT.

-DO NOT USE LADDERS OR OTHER DEVICES ON PLATFORMS TO GAIN GREATER HEIGHTS

-DO NOT USE ACIDS OR OTHER CORROSIVE SUBSTANCES ON A PLATFORM WITHOUT CONSULTING THE PLATFORM MANUFACTURER

-DO NOT USE METAL PLATFORM WHERE CONTACT MAY BE MADE WITH ELECTRICAL CIRCUITS.

-DO NOT OPERATE PLATFORM WITHOUT PROPERLY WEARING AND ATTACHING PERSONAL SAFETY EQUIPMENT TO AN INDEPENDENT LINE.

-KNOW AND UNDERSTAND PROPER OPERATING PROCEDURES FOR SUSPENDED ACCESS PLATFORMS AS CALLED OUT IN THE "SCAFFOLD INDUSTRY ASSOCIATION CODE OF SAFE PRACTICES FOR SUSPENDED POWER SCAFFOLDS" AND LOCATED IN THE MANUFACTURERS MANUAL. IF YOU HAVE ANY QUESTIONS CONTACT SKY CLIMBER, INC. (800) 255-4629.

106-230

P/N106-230

SKY CLIMBER® MKD2 Assembly

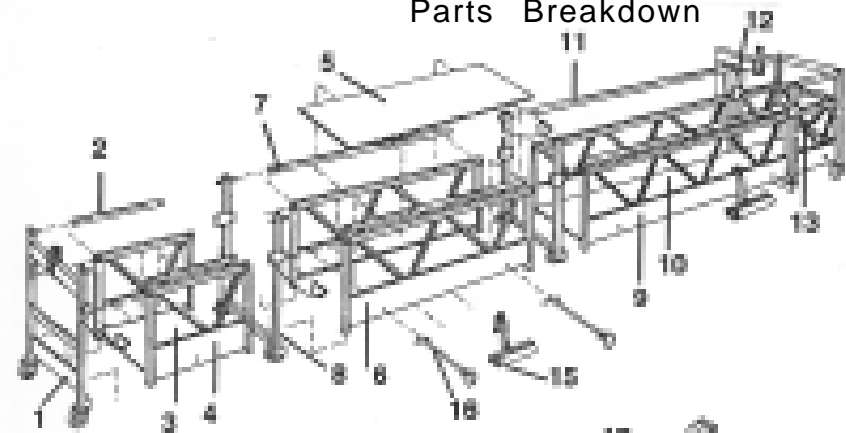
To comply with UL listed load capabilities, assembly and use staging as shown on the decal (Page 7,8) and Page 5.

For easier assembly in a boiler type vessel, insert each MKD2 component as it is needed. Do not clutter the vessel work space by bringing in parts before they are needed.

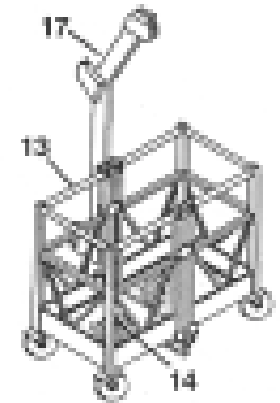
1. Make certain all components needed are present.
2. Bring hinged connecting frame into work space. Open to full width.
 - Insert the large pin through hole in hinge.
 - Retain with hairpin shaped pin attached to frame.
3. Install first 2 side panels
 - The lip that supports the floor must point inboard
 - Insert one end of each side panel into square opening at bottom connecting frame
 - Push tops of side panels into connecting frame ears.
 - Retain with connecting pins attached to connecting frame.
4. Bring 2 more side panels into work space.
 - Repeat Step 3 on other side of connecting frame.
5. Continue to assemble connecting frames and side panels until desired platform length is attained.
6. Bring hinged stirrup frame into work space. Open stirrup to full width.
 - Insert the large pin into the hole in the hinge.
 - Retain with the hairpin shaped pin.
 - Insert ends of side rails into square opening at bottom of stirrup.
 - Push tops of rails into ears on stirrup.
 - Retain with connecting pins attached to stirrup.
7. Install hoist mounting portion of stirrup into openings provided at top of stirrup frame.
 - Retain with large pins attached to the frame.
8. Repeat Steps 6 and 7 for other stirrup.
9. Install floors between side rails. Retain with floor pins.
10. Install an appropriate quantity of top and mid-rails on the Platform.
 - Place rails in the ears on stirrup and connecting frame.
 - Retain with pins attached to stirrups and connecting frames.
11. To install wall rollers, if used, remove pin and square tube/roller assembly from hanger bracket.
 - Place hanger over side rail toeboard.
 - Insert square tube/roller assembly into hanger bracket to desired extension.
 - Retain with previously removed pin.
 - Tighten thumb screw at top of bracket.

SKY CLIMBER®

MKD EXTENDED Parts Breakdown



DESCRIPTION	PART. NO.
1. Standard Stirrup	111-409
2. 2.5 ft. Top Rail	111-411-3
3. 2.5 ft. Floor	111-478
4. 2.5 ft. Side Panel	111-468
5. 5 ft. Floor	111-418
6. 5 ft. Side Panel	111-417
7. 5 ft. Top Rail	111-411-5
8. Connecting Frame	111-410
9. 10 ft. Side Panel	111-407
10. 10 ft. Floor	111-408
11. 10 ft. Top Rail	111-411-10
12. Walk-by Stirrup Assembly	110-308
13. Extension Structure	111-445
14. Extension Structure Floor	111-451
15. Wall Roller Assembly	112-140
16. Floor Pin	111-441
17. Walk-through Stirrup Ass'y	110-310
18. Double Line Walk-Thru Stirrup	110-311



MKD WORK CAGES	
DESCRIPTION	PART. NO.
MKD Walk-By	111-415-05C1
MKD Single Line Walk-Thru	111-415-05C2
MKD Double Line Walk-Thru	111-415-05C-3

OTHER COMPONENT PARTS

Lock Pin	111-422
Lanyard Wire	119-106
Lanyard Sleeve, Oval	107-1132
Lanyard Sleeve Stop	107-1133
Caster	111-425
Caster Bolt	107-102
Caster Nut	107-384
Shoulder Bolt	107-1099
Nut	107-328

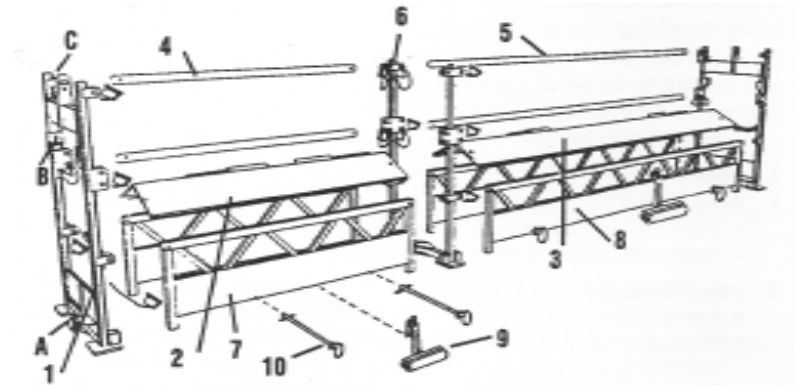
STIRRUPS: Platform includes Walk-By Stirrup on Extended End (E) and Standard Stirrup on Non-Extended Ends (2.5, 5, 10).** Extended Platform Ends (e) accept only Walk-By or Walk-Thru Stirrups. To substitute Walk-Thru Stirrups for Walk-By Stirrups, add **T** to the Configuration Part No. To substitute Double Line Walk-Thru Stirrups for Walk-By Stirrups, add **D** to the Configuration Part No.

SKY CLIMBER® MKD EXTENDED Assembly

To comply with UL listed load capabilities, assemble & use staging as shown on the decal and Pages 12, 13 and 14.

1. Place one end of two side panels into square connecting frame openings.
 - Lips that support floor must point inboard.
 - Push each side rail top into connecting frame ears.;
 - Retain side rails with connecting pins attached to frame.
2. Place another side rail pair into square openings and ears on opposite side of connecting frame. Retain as in Step 1.
3. Assemble side rails & connecting frames until desired platform length is attained.
4. Turn an extension section upside-down (wheels in air).
 - Turn a connecting frame upside-down.
 - Place square openings over the square extension section tubes. • Insert attached pin through middle ears on connecting frame.
5. Connect a lower (horizontal) walk-thru or walk-by stirrup section.
 - Join lower section square plates with matching connecting frame square plates.
 - Tighten the 8 screws & nuts after top (vertical) stirrup section is attached.
6. Turn assembly from Step 5 over.
 - Wheels point down. Structure is up in normal use orientation.
7. Join top (vertical) walk-thru or walk-by stirrup section with matching ears on lower (horizontal) stirrup section.
 - Retain with large bolts and nuts provided.
 - Attach stabilizer wheel so it extends outward, away from platform.
 - Tighten the 2 large bolts and nuts and the 8 screws and nuts. See Step 5.
8. Place one end of exposed side rails into square openings at the bottom of connecting frame attached to the extension section.
 - Push the tops of side rails into ears on the connecting frame. • Retain with pins attached to connecting frame.
9. Insert a top rail into ears on existing connecting frame assembly from Step 7.
 - Retain with the long screws and nuts provided. Tighten securely.
10. For second extension section on the other end of platform, repeat Steps 4-9. If no second extension section is used, install a standard or low mount end stirrup.
 - Place one end of exposed side rails into square opening at the bottom of a standard or low mount end stirrup.
 - Push top of side rails into ears of stirrup.
 - Retain with connecting pins attached to end stirrup.
11. Install floors between side rails and retain with floor pins. 12. Install remaining top rails into top stirrup ears and connecting frames. • Retain with pins attached to stirrups and connecting frames.
 - **NOTE:** Top rail on the building side of the Platform may be lowered to ears just above top of side rail if so desired.
13. Install wall rollers.
 - Remove pin and square tub/roller assembly from hanger bracket.
 - Place hanger on the side rail toeboard at desired location.
 - Insert square tube/roller into hanger bracket to the desired extension.
 - Insert pins removed above. Tighten thumbscrew at top of bracket.
14. Insure everything is properly inserted and tightened.

SKY CLIMBER® MKD2 Parts Breakdown



DESCRIPTION	PART. NO.
1. Folding End Stirrup	111-519
2. Folding 5 ft. Floor	111-526
3. Folding 10 ft. Floor	111-527
4. 5 ft. Side Rail (Typical 4 pcs.)	111-411-5
5. 10 ft. Side Rail (Typical 4 pcs.)	111-411-10
6. Folding Connecting Frame	111-521
7. 5 ft. Side Pane (Typical 2 pcs.)	111-523
8. 10 ft. Side Panel (typical 2 pcs.)	111-524
9. Wall Roller (Typical 2 pcs.)	112-140
10. Floor Pin	111-441

OTHER COMPONENT PARTS

A. Stirrup Pin	107-1087
B. Hoist Bar Pin	107-1088
C. Hoist Mount Bar	111-518
Lock Pin	111-422
Lanyard Wire	119-106
Lanyard Sleeve, Oval	107-1132
Lanyard Sleeve Stop	107-1133

NOTE:

1. Platform Sections may not be used in configurations and lengths other than those shown in table at right without S.C.I. engineering written approval.
2. Read Assembly Instructions prior to assembly and use.
3. Side Rails must be used on both sides of the platform.
4. If you have any questions, contact Sky Climber, Inc. 800-255-4629.

Sky Climber MKD Platforms meet or exceed OSHA requirements and are U.L. Classified.



MKD2

Weights, Capacities & Configurations

LENGTH	PARTNO.	TOTAL WEIGHT	RATE CAPACITY	PLATFORM CONFIGURATION				
				5	10	10	5	10
5 ft.	111-570-05S	186lbs	1000lbs	5				
10 ft.	111-570-10S	266	1000	10				
15 ft.	111-570-15S	389	1000	10	5			
20 ft.	111-570-20S	469	1000	10	10			
25 ft.	111-570-25S	592	1000	10	5	10		
30 ft.	111-570-30S	672	1000	10	10	10		
35 ft.	111-570-35S	794	750	10	10	10	5	
40 ft.	111-570-40S	917	750	5	10	10	10	5

MKD2 Platform Configuration

LENGTH	PARTNO.	END STIRRUP	CONNECTING FRAME	Floor Section		Side Panel		Top Guardrail		FLOOR PINS	WALL ROLLER
				10FT FLOOR	5FT FLOOR	10FT SIDE PANEL	5FT SIDE PANEL	10FT SIDE RAIL	5FT SIDE RAIL		
5 ft	111-570-5S	2	-	-	1	-	2	-	4	2	2
10 ft	111-570-10S	2	-	1	-	2	-	4	-	2	2
15 ft	111-570-15S	2	1	1	1	2	2	4	4	4	2
20 ft	111-570-20S	2	1	2	-	4	-	8	-	4	2
25 ft	111-570-25S	2	2	2	1	4	2	8	4	6	2
30 ft	111-570-30S	2	2	3	-	6	-	12	-	6	2
35 ft	111-570-35S	2	3	3	1	6	2	12	4	8	2
40 ft	111-570-40S	2	4	3	2	6	4	12	8	10	2



Conformance to the Rated Capacities and Configurations as shown in the above table is critical to the safe use of the MKD2.

Use of other configurations or greater weights could result in serious injury.

Never have joint in the middle except for the -20S.

Do not use four 10ft. sections to form a 40 ft. platform. To do so will result in equipment damage and possible serious injury.



MKD STANDARD

Weights, Capacities & Configurations

LENGTH	PARTNO.	TOTAL WEIGHT	RATED CAPACITY	PLATFORM CONFIGURATION				
				5	5	10	10	5
5 ft.	111-415-05S	204	1250	5				
7.5 ft.	111-415-07.5S	266	1250	2.5	5			
10 ft.	111-415-10S	287	1250	10				
12.5 ft.	111-415-12.5S	249	1250	2.5	10			
15 ft.	111-415-15S	392	1250	5	10			
17.5 ft.	111-415-17.5S	426	1250	2.5	10	5		
20 ft.	111-415-20S	457	1250	10	10			
22.5 ft.	111-415-22.5S	519	1250	2.5	10	10		
25 ft.	111-415-25S	561	1250	10	5	10		
27.5 ft.	111-415-27.5S	595	1250	2.5	5	10	10	
30 ft.	111-415-30S	626	1250	10	10	10		
32.5 ft.	111-415-32.5S	688	750	2.5	10	10	10	
35 ft.	111-415-35S	731	750	10	10	10	5	
37.5 ft.	111-415-37.5S	793	750	2.5	10	10	10	5
40 ft.	111-415-40S	835	750	5	10	10	10	5

MKD Platform Configuration

LENGTH	PARTNO.	STANDARD STIRRUP	CONNECTING FRAME	Floor Section		Side Panel		Top Guardrail		FLOOR PINS	WALL ROLLER
				10FT FLOOR	5FT FLOOR	10FT SIDE PANEL	5FT SIDE PANEL	10FT SIDE RAIL	5FT SIDE RAIL		
5 ft	111-415-05S	2	-	-	1	-	2	-	2	2	2
10 ft	111-415-10S	2	-	1	-	2	-	2	-	2	2
15 ft	111-415-15S	2	1	1	1	2	2	2	2	4	2
20 ft	111-415-20S	2	1	2	-	4	-	4	-	4	2
25 ft	111-415-25S	2	2	2	1	4	2	4	2	6	2
30 ft	111-415-30S	2	2	3	-	6	-	6	-	6	2
35 ft	111-415-35S	2	3	3	1	6	2	6	2	8	2
40 ft	111-415-40S	2	4	3	2	6	4	6	4	10	2

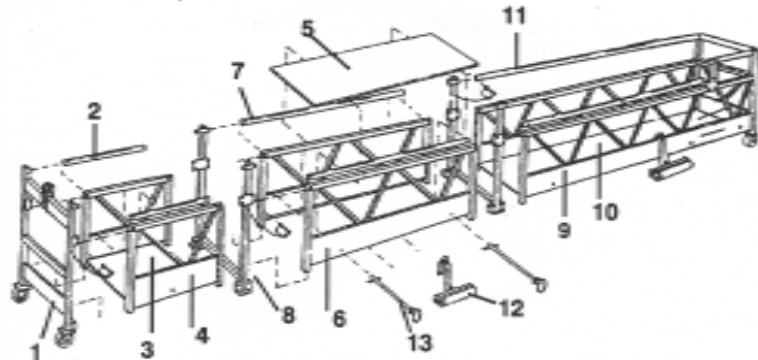


Conformance to the Rated Capacities and Configurations as shown in the above table is critical to the safe use of the MKD2.

Use of other configurations or greater weights could result in serious injury.

Never have joint in the middle except for the -20S.

Do not use four 10ft. sections to form a 40 ft. platform. To do so will result in equipment damage and possible serious injury.



DESCRIPTION	PART. NO.
1. Standard Stirrup	111-409
2. 2.5 ft. Top Rail	111-411-3
3. 2.5 ft. Floor	111-478
4. 2.5 ft. Side Panel	111-468
5. 5 ft. Floor	111-418
6. 5 ft. Side Panel	111-417
7. 5 ft. Top Rail	111-411-5
8. Connecting Frame	111-410
9. 10 ft. Side Panel	111-407
10. 10 ft. Floor	111-408
11. 10 ft. Top Rail	111-411-10
12. Wall Roller Assembly	112-140
13. Floor Pin	111-441

OTHER COMPONENT PARTS

Lock Pin	111-422
Lanyard Wire	119-106
Lanyard Sleeve, Oval	107-1132
Lanyard Sleeve Stop	107-1133
Caster	111-425
Caster Bolt	107-102
Caster Nut	107-384
Shoulder Bolt	107-1099
Nut	107-328

*Platform includes a Standard Stirrup for each end (2.5', 5', 10').**

STIRRUPS

* Non-Extended Platform Ends (2.5', 5', & 10') accept only Standard or Low Mount Stirrups. To substitute Low Mount Stirrups for Standard Stirrups, replace **S** with **L** on the Configuration Part No.

Sky Climber MKD Platforms meet or exceed OSHA requirements and are U.L. Classified.

To comply with UL listed load capabilities, assemble and use staging as shown on the decal (Page 7,8) and Pages 9 and 10.

- Place one end of two side panels into square openings on connecting frame.
 - Lips that support floor must point inboard.
 - Push each side rail top into connecting frame ears.
 - Retain side rails with connecting pins attached to frame.
- Place another side rail pair into the square openings and ears on opposite side of connecting frame. Retain as in Step 1.
- Assemble side rails and connecting frames until desired platform length is attained.
- Place one end of exposed side rails into square opening at bottom of a standard or low mount end stirrup.
 - Push top of side rails into ears of end stirrup.
 - Retain with connecting pins attached to end stirrup.
- Repeat Step 4 for the other end stirrup. If Horizontal Hinge is used follow Step 6, otherwise proceed to Step 7.
- Horizontal Hinge Assembly:: Connect the lower (horizontal section of a walk-thru or walk-by stirrup to bottom part of hinge (side with no wheels).
 - Leave the eight (8) attaching screws and nuts loose until the top (vertical) section of walk-thru or walk-by stirrup is attached.
 - Attach vertical section with 2 large bolts and nuts.
 - Insert two long screws through top section of the walk-thru or walk-by stirrup, top hinge ears and a top rail.
 - Tighten all screws.
 - Connect side rails same as end stirrup. See Step 4.
 - Continue with next platform section.
- Install floors between side rails and retain with floor pins.
- Install wall rollers.
 - Remove pin and square tube/roller assembly from hanger bracket.
 - Place hanger on side rail toeboard at desired location.
 - Insert square tube/roller into hanger bracket to desired extension.
 - Insert pin removed above
 - Tighten thumb screw at top of bracket.
- Install remaining top rails into top stirrup ears and connecting frames.
 - Retain with pins attached to stirrups and connecting frames.
 - NOTE: Top rail on the building side of the Platform may be lowered to ears just above top of side rail if so desired.
- Insure everything is properly inserted and tightened.
 - * NOTICE: For configurations using angled corners or horizontal hinges contact your nearest dealer or Sky Climber at 800-255-4629.

MODULAR KNOCK DOWN STAGE STAIRCASE CONFIGURATION

Model	Height	Width	Depth	Weight	Capacity	Notes
100	10'	4'	2'	150 lbs	250 lbs	
101	10'	4'	2'	150 lbs	250 lbs	
102	10'	4'	2'	150 lbs	250 lbs	
103	10'	4'	2'	150 lbs	250 lbs	
104	10'	4'	2'	150 lbs	250 lbs	
105	10'	4'	2'	150 lbs	250 lbs	
106	10'	4'	2'	150 lbs	250 lbs	
107	10'	4'	2'	150 lbs	250 lbs	
108	10'	4'	2'	150 lbs	250 lbs	
109	10'	4'	2'	150 lbs	250 lbs	
110	10'	4'	2'	150 lbs	250 lbs	
111	10'	4'	2'	150 lbs	250 lbs	
112	10'	4'	2'	150 lbs	250 lbs	
113	10'	4'	2'	150 lbs	250 lbs	
114	10'	4'	2'	150 lbs	250 lbs	
115	10'	4'	2'	150 lbs	250 lbs	
116	10'	4'	2'	150 lbs	250 lbs	
117	10'	4'	2'	150 lbs	250 lbs	
118	10'	4'	2'	150 lbs	250 lbs	
119	10'	4'	2'	150 lbs	250 lbs	
120	10'	4'	2'	150 lbs	250 lbs	

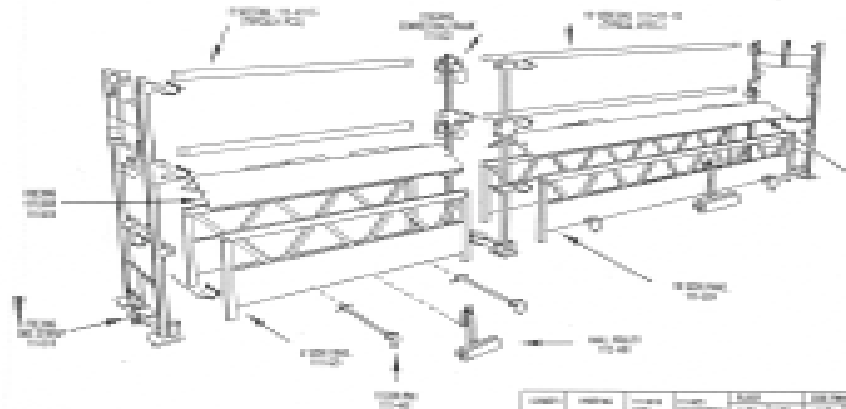
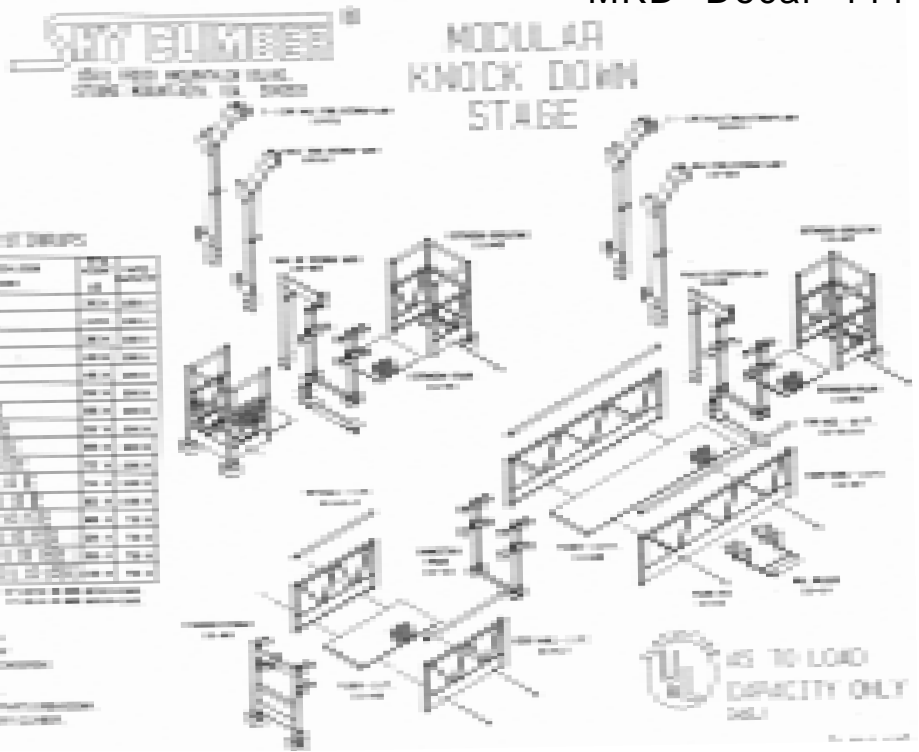
MODULAR KNOCK DOWN STAGE CONFIGURATION USING EXTENDING AND HULL TYPE STAIRS

Model	Height	Width	Depth	Weight	Capacity	Notes
121	10'	4'	2'	150 lbs	250 lbs	
122	10'	4'	2'	150 lbs	250 lbs	
123	10'	4'	2'	150 lbs	250 lbs	
124	10'	4'	2'	150 lbs	250 lbs	
125	10'	4'	2'	150 lbs	250 lbs	
126	10'	4'	2'	150 lbs	250 lbs	
127	10'	4'	2'	150 lbs	250 lbs	
128	10'	4'	2'	150 lbs	250 lbs	
129	10'	4'	2'	150 lbs	250 lbs	
130	10'	4'	2'	150 lbs	250 lbs	
131	10'	4'	2'	150 lbs	250 lbs	
132	10'	4'	2'	150 lbs	250 lbs	
133	10'	4'	2'	150 lbs	250 lbs	
134	10'	4'	2'	150 lbs	250 lbs	
135	10'	4'	2'	150 lbs	250 lbs	
136	10'	4'	2'	150 lbs	250 lbs	
137	10'	4'	2'	150 lbs	250 lbs	
138	10'	4'	2'	150 lbs	250 lbs	
139	10'	4'	2'	150 lbs	250 lbs	
140	10'	4'	2'	150 lbs	250 lbs	

MODULAR KNOCK DOWN WIRE CASE

Model	Height	Width	Depth	Weight	Capacity	Notes
141	10'	4'	2'	150 lbs	250 lbs	
142	10'	4'	2'	150 lbs	250 lbs	
143	10'	4'	2'	150 lbs	250 lbs	
144	10'	4'	2'	150 lbs	250 lbs	
145	10'	4'	2'	150 lbs	250 lbs	
146	10'	4'	2'	150 lbs	250 lbs	
147	10'	4'	2'	150 lbs	250 lbs	
148	10'	4'	2'	150 lbs	250 lbs	
149	10'	4'	2'	150 lbs	250 lbs	
150	10'	4'	2'	150 lbs	250 lbs	

- NOTE:**
1. PLATFORM SECTION MUST BE USED IN CONFIGURATIONS AND LAYOUTS OTHER THAN THOSE SHOWN IN THIS DOCUMENT AND, WHERE APPROPRIATE, APPROVED.
 2. READ DIMENSIONS, FIRST PLACING AND USE.
 3. ADD TO DIMENSIONAL DIMENSIONS.
 4. SEE RECOMMENDED DIMENSIONS OF THE PLATFORM.
 5. DIMENSIONS SHOWN IN THIS DOCUMENT, SEE, SEE, SEE 111-443.



- NOTE:**
1. PLATFORM SECTION MUST BE USED IN CONFIGURATIONS AND LAYOUTS OTHER THAN THOSE SHOWN IN THIS DOCUMENT AND, WHERE APPROPRIATE, APPROVED.
 2. READ DIMENSIONS, FIRST PLACING AND USE.
 3. ADD TO DIMENSIONAL DIMENSIONS.
 4. SEE RECOMMENDED DIMENSIONS OF THE PLATFORM.
 5. DIMENSIONS SHOWN IN THIS DOCUMENT, SEE, SEE, SEE 111-536.

PERFORMANCE

Model	Height	Width	Depth	Weight	Capacity	Notes
151	10'	4'	2'	150 lbs	250 lbs	
152	10'	4'	2'	150 lbs	250 lbs	
153	10'	4'	2'	150 lbs	250 lbs	
154	10'	4'	2'	150 lbs	250 lbs	
155	10'	4'	2'	150 lbs	250 lbs	
156	10'	4'	2'	150 lbs	250 lbs	
157	10'	4'	2'	150 lbs	250 lbs	
158	10'	4'	2'	150 lbs	250 lbs	
159	10'	4'	2'	150 lbs	250 lbs	
160	10'	4'	2'	150 lbs	250 lbs	