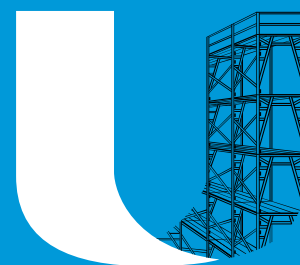


# ***Safety Guidelines for Endlok Scaffolding***



**UNIVERSAL**  
MANUFACTURING CORP.

# SAFETY GUIDELINES FOR ASSEMBLING ENDLOK TUBE AND CLAMP SCAFFOLD

**TABLE T – 1  
TUBE AND CLAMP SCAFFOLD  
LIGHT DUTY**

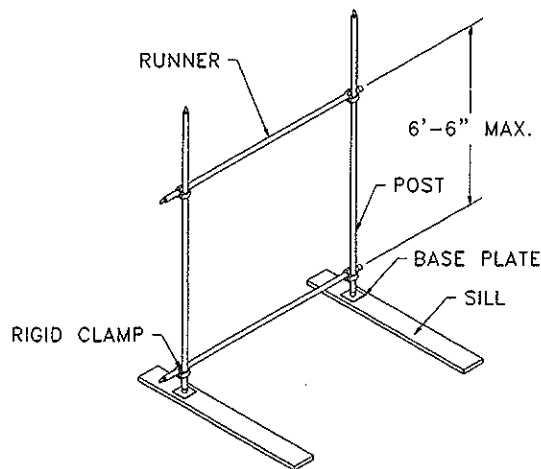
Maximum intended load.....	25 lbs/ft <sup>2</sup>
Maximum post spacing .....	4 ft x 10 ft

**TABLE T – 2  
TUBE AND CLAMP SCAFFOLD  
MEDIUM DUTY**

Maximum intended load.....	50 lbs/ft <sup>2</sup>
Maximum post spacing .....	4 ft x 7 ft

**Note:** All posts, runners, bearers and diagonal braces are 1.90" O.D. steel tube

1. Determine the desired spacing for posts according to the intended loading from Tables T-1 and T-2. Properly secure bases to sills corresponding to the spacing of the posts. Insert two (2) posts in line in the direction of the length of the scaffold into bases and secure posts into bases. With the posts set at the proper span, attach the bottom runner with rigid clamps as close to the base as possible. Attach the next consecutive runner at the desired height, but not more than 6'6" on center. See Figure 1



**FIGURE 1**

2. Insert another post into a base and secure – this will make up the end of the scaffold. Attach the first two (2) bearers transversely directly above the runners keeping the clamps of the runner and bearer as close as possible. Note: the bearers should be at least 4" but not more than 12" longer than the post spacing. See Figure 2

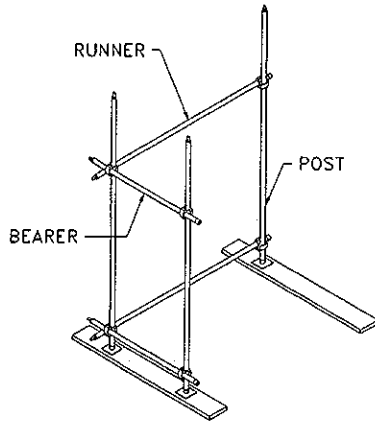


FIGURE 2

3. Insert the final post into its base and secure. Follow the previous sequence and attach the next two (2) runners and bearers completing the first initial tower. Before continuing, be sure all vertical posts are plumb and horizontal members are level. Measure across the diagonal and adjust clamps to maintain a square tower. After the tower is plumb, check all clamp nuts to assure they are tight. (Torque to not less than 50 ft/lbs) See Figure 3

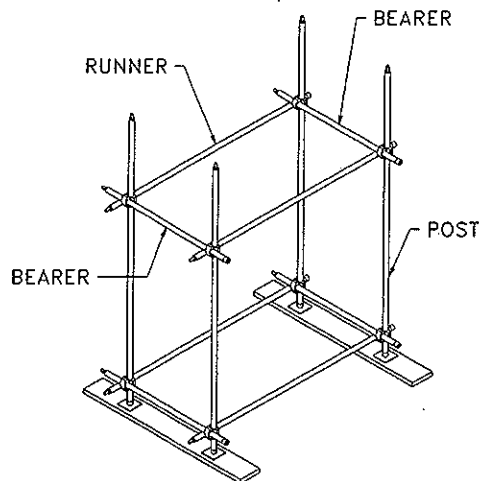


FIGURE 3

4. In continuing the erection of the scaffold to acquire the desired length and height, erect additional posts in sets of two (2) following the above procedure for attaching runners and bearers. Note: runners shall be interlocked to form continuous lengths and clamped to each post, maintaining a plumb and square tower.
5. Longitudinal diagonal bracing shall be installed using swivel clamps at approximately a 45 degree angle from the base of the first end post upward to the extreme top of the scaffold. Where the longitudinal length of the scaffold permits, such bracing shall be duplicated at every fifth post. In a similar manner, longitudinal diagonal bracing shall also be installed from the last post extending back and upward toward the first post. Cross bracing shall be installed across the width of the scaffold, at least every third set of posts horizontally and every fourth runner vertically. Such bracing shall extend diagonally from runners upward to the next runner. See Figure 4

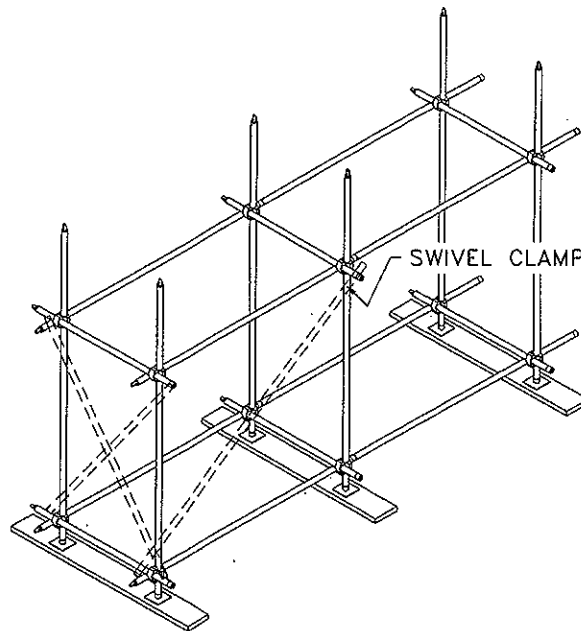


FIGURE 4

6. For wall scaffold assembly, when the scaffold height exceeds four (4) times the minimum scaffold base dimension, it must be tied with rigid ties to, and securely braced against, the building at intervals not to exceed 30 feet horizontally and 26 feet vertically. Note: ties must attach to scaffold as close as possible to connection where bearer and runner meet. Also, the transverse face must be braced diagonally at location of the tie.

- Guardrails and toeboards shall be installed on all open sides and ends of fully planked working levels. Top rails shall be installed between 38" and 45" above the platform surface. Toeboards shall be a minimum of 4" in height. Midrails shall be installed at a height midway between the guardrail top edge and the platform surface.

### CIRCULAR SCAFFOLD ASSEMBLY

- The figure below illustrates a typical plan view of the circular configuration for the Endlok scaffold. The posts, runners, and bearers are constructed in a similar manner as described previously. Bay "D" elevation illustrates a typical elevation view of a diagonal braced section. Solid lines indicate diagonal bracing on the outside face and dotted lines indicate diagonal bracing on the inside face. Again, diagonal braces are secured with swivel clamps. Diagonal bracing must be installed the entire height of the scaffold in every fourth bay horizontally; for small diameters, at the appropriate quarter points.

