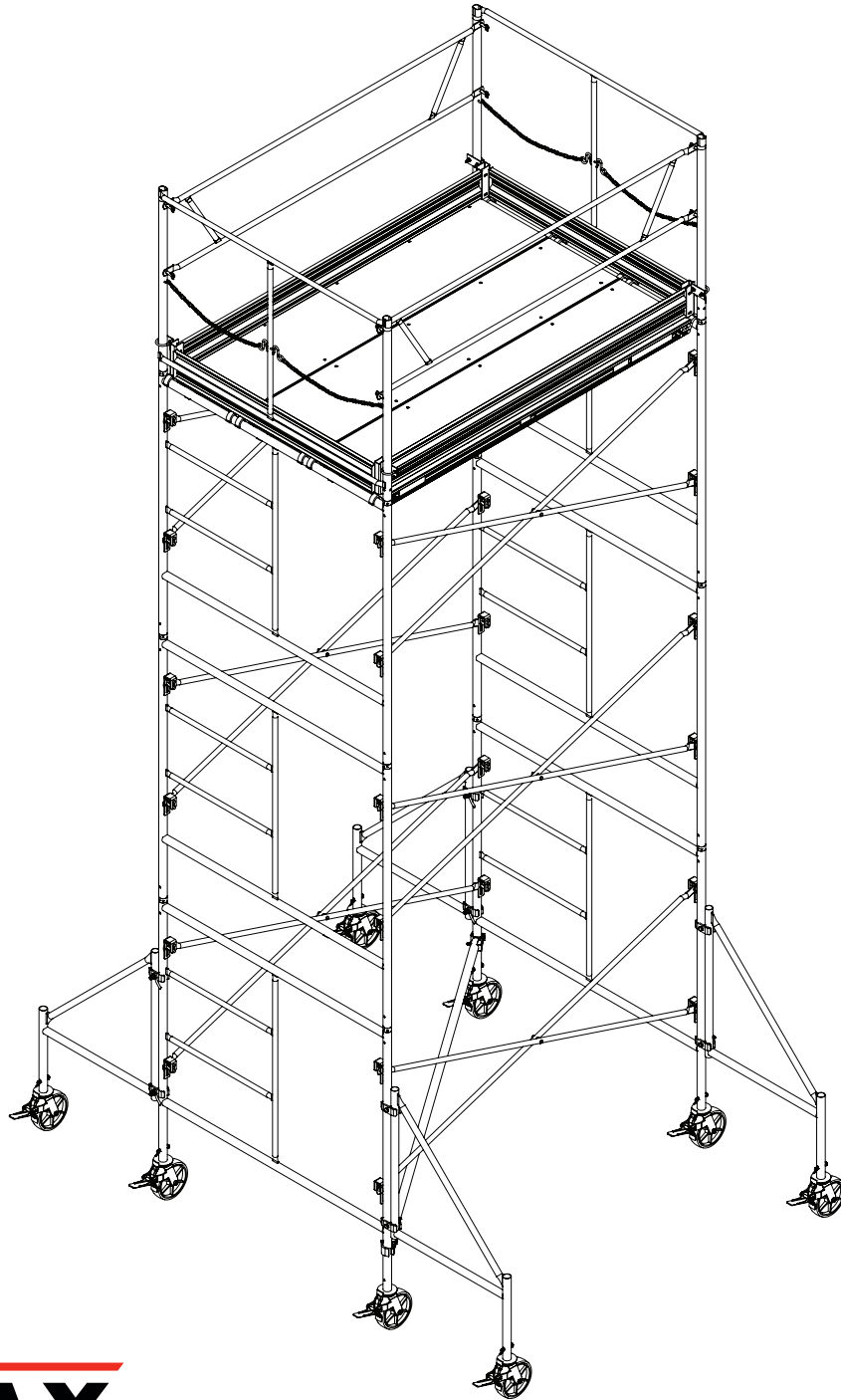


SCAFFOLD TOWER

Rolling or Stationary

Assembly Instructions

All Drawings Are For Illustration Only.



TOWER INFORMATION

A Rolling Tower should only be used on solid, level and clear floor areas. Do not use on soil or unlevel surfaces. Check for overhead obstructions which may interfere with the tower.

WARNING

Metal conducts electricity. Do not use this equipment in areas where contact may be made with power lines or other live electrical circuits. Failure to comply with the preceding warning will result in serious personal injury or death.

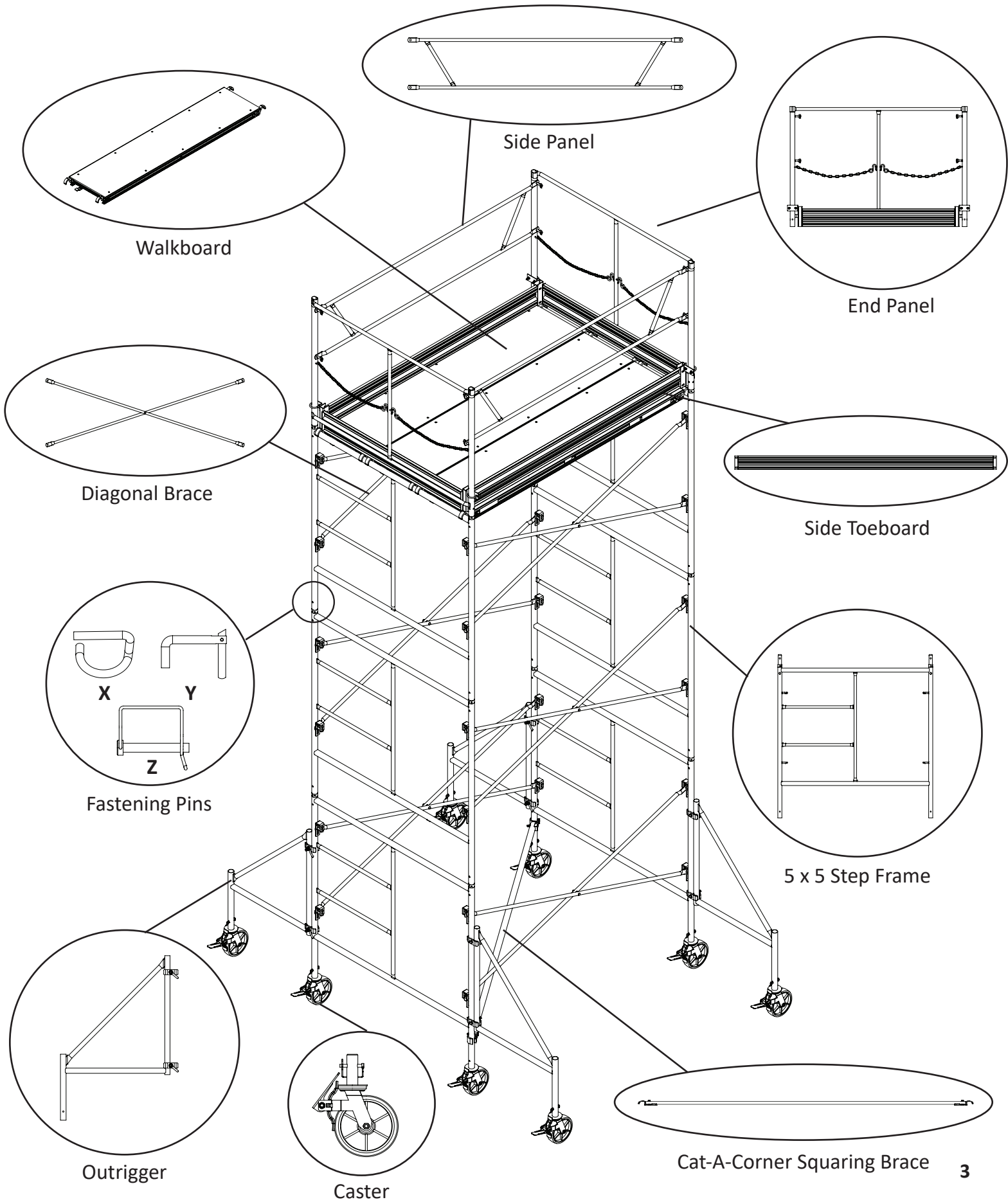
Bil-Jax, Inc. recommends that all users of this equipment be supplied with safety information and OSHA rules and regulations. This information must be thoroughly read and understood before using the equipment. If you have not been provided with OSHA regulations or safety literature, please call 419-445-8915 before use.

IMPORTANT: CAUTION

- Inspect scaffold daily or before each use.
- Do not exert horizontal force from on top of a free-standing scaffold.
- Do not climb or stand on cross braces or horizontal braces.
- Do not swing around corner of scaffold to enter platform from the cross brace side.
- Do not use boxes, ladders, or other means to increase working height.
- Do not stand or sit on guard rails.
- Do not use bricks, boxes, concrete blocks, or any other unstable objects under scaffold leg.
- NEVER ride a moving scaffold.
- Do not move scaffold by applying a pulling or pushing force at or near the top.
- Do not use braces as a platform support.
- Do not use personnel brackets (side brackets) on a rolling tower.
- Use approved access ladder or stairs to climb scaffold. Properly erected step type end frames will provide “equivalent, safe access” as required by OSHA.
- When hoisting material or using side brackets, scaffold must be restrained from tipping by guying, tying to a permanent structure or other acceptable means.
- Restrict loading to safe working loads. If unsure of safe load limit, consult your scaffold dealer.
- If you have not been provided with OSHA regulations or safety literature, or for any questions concerning the safe use of this equipment, call 419-445-8915 before use.

NOTE: All OSHA, state and local codes and regulations pertaining to this equipment should be obtained, read, and thoroughly understood before attempting to erect or use this equipment. Persons under the influence of drugs, alcohol, or prescription medication should not be on or near this equipment. Common sense should be implemented at all times during the erection and use of this equipment. **DO NOT USE THIS EQUIPMENT IN AREAS WHERE EQUIPMENT OR USER MAY COME IN CONTACT WITH LIVE POWER SOURCE.**

SCAFFOLD TOWER PARTS



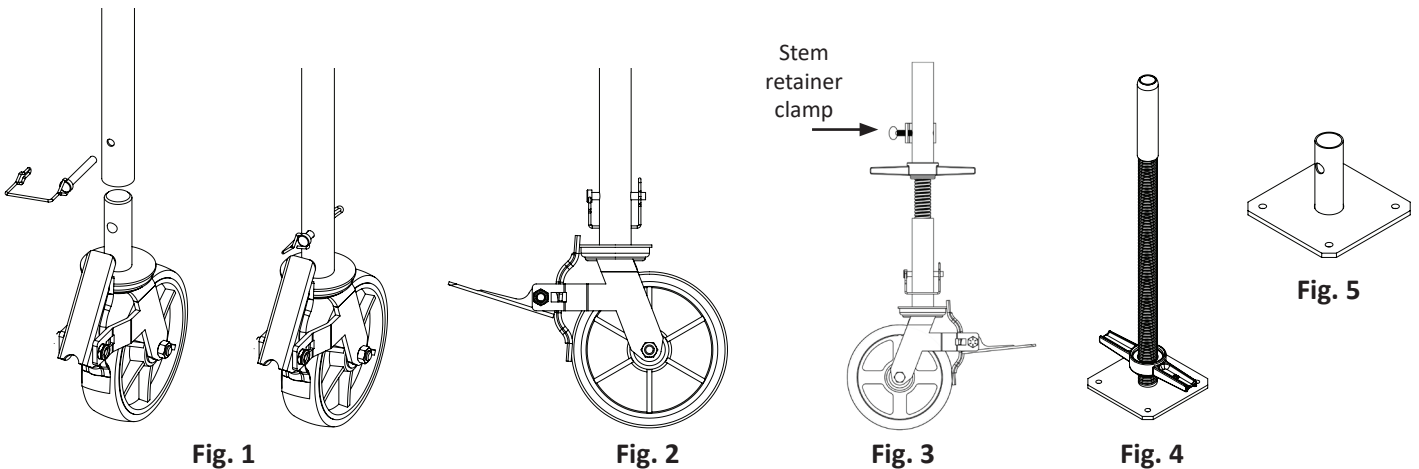
STEP 1 - Preparation

Before starting scaffold erection, check all parts for damage, making sure that they are in proper working order. Any part that does not look to be in good working condition or is damaged in any way should not be used.

NOTE: Some areas may require separate access ladders or stairs. Consult your local authorities for information before beginning scaffold erection.

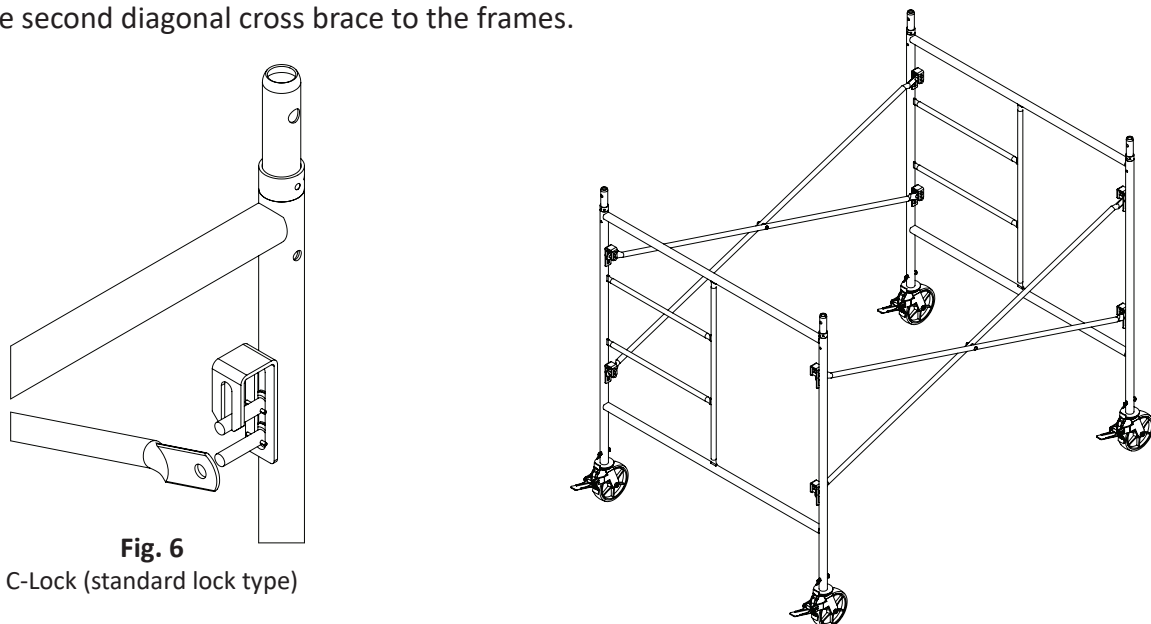
STEP 2 - Casters, jacks, base plates

Insert casters into the bottom of each leg of the scaffold frame and secure in place with a snap pin (Fig. 1). Set brakes on all casters (Fig. 2) before proceeding with tower erection. If leveling casters or extensions are used, secure with stem retainer clamp, wire, or other suitable means (Fig. 3). Do not extend leveling screws more than 12". If application does not call for a Rolling Tower, follow above procedure and replace casters with leveling jacks (Fig. 4) or base plates (Fig. 5) on mud sills.



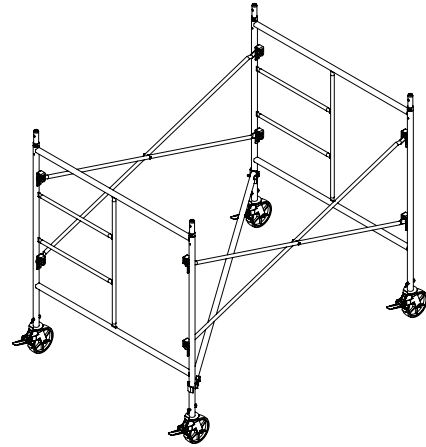
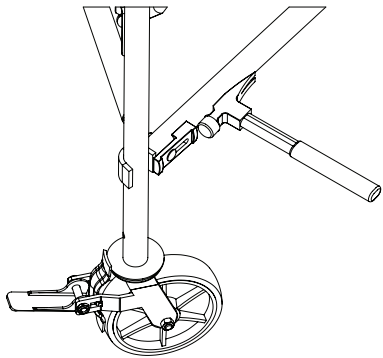
STEP 3 - Bracing

Bring one frame up and attach diagonal cross bracing to the first frame and then the second frame, securing in place with frame brace locks (Fig. 6). Make sure ladder portion of the frames are on the same side. Then attach the second diagonal cross brace to the frames.



STEP 4 - Cat-A-Corner squaring brace

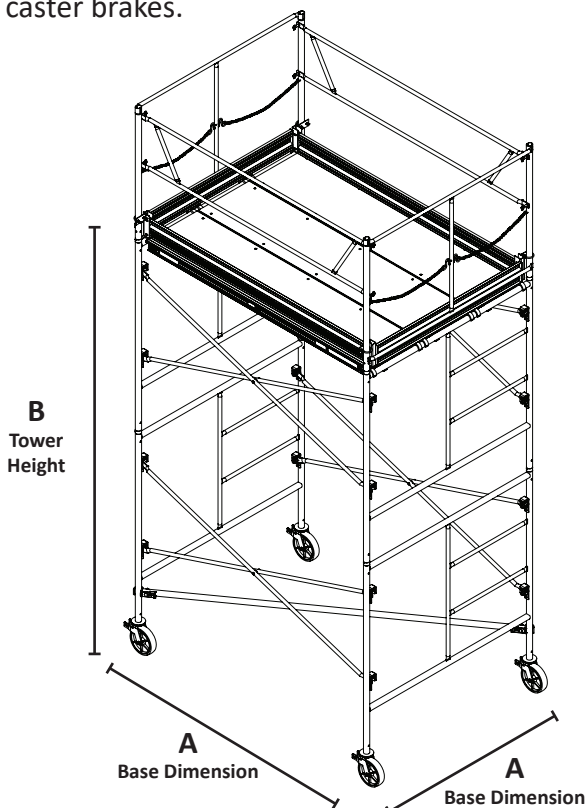
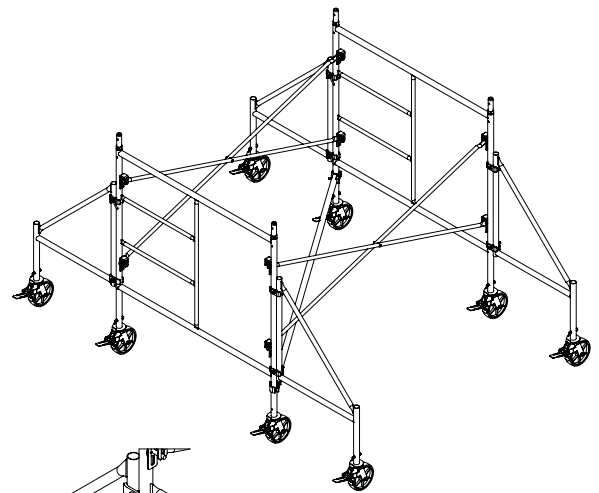
Install cat-a-corner squaring brace at the base, below the bottom ledger on the frame by engaging sliding lock with hammer. A cat-a-corner brace should be installed at the base and every additional 20' of height.



STEP 5 - Outriggers

Determine tower height required to complete the job. If height exceeds 4 times the minimum base dimension, (see Free Standing Tower Height section below) install outriggers to increase minimum base dimension or tie in to permanent structure as codes require.

Insert casters into the bottom of the outriggers and secure in place with a snap pin. Pin caster to outrigger and attach outrigger to scaffold leg (Fig. 7). Adjust to desired angle and tighten clamp firmly (Fig. 8) to prevent movement. Set caster brakes.



(use the smallest of the base dimensions)

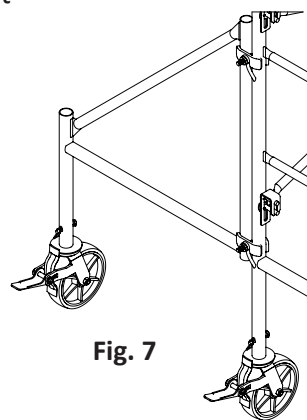


Fig. 7

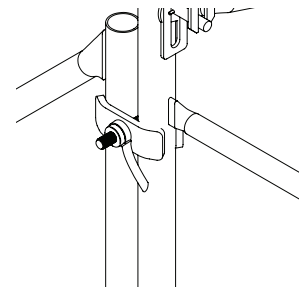


Fig. 8

OSHA recommends the maximum free-standing tower height permitted for a Rolling Tower be 4 times the minimum base dimension. Consult your state and local codes to insure your tower complies with all applicable regulations.

$$A \times 4 = B$$

(smallest base dimension)

(some states allow 3 or 3.5 - check local & state codes)

(maximum tower height permitted)

STEP 6 - Adding frame sections

Place walkboards on the top ledger of the frame. Then, secure in place by engaging the wind locks on each walkboard at both ends (Fig. 9). Full decking should be installed before assembling the next tier, and then moved up as each tier is completed.

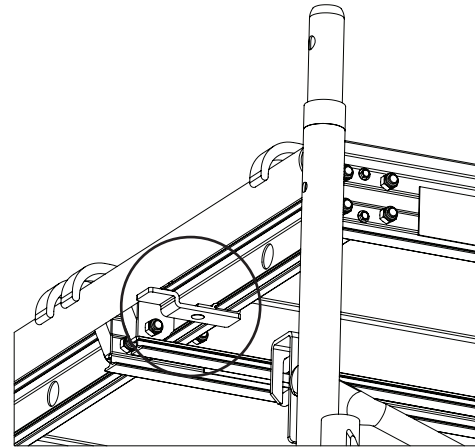
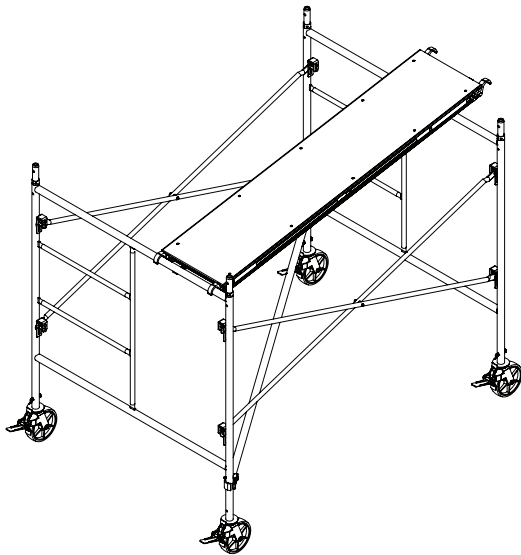


Fig. 9

Next, hoist end frames to next level (using rope and tag line if needed). Place so ladder steps continue above one another. Secure frames together with pig tail pins (Fig. 10). Then, raise cross braces to the next level and secure in place with frame brace locks. Next, disengage the wind locks on each walkboard (Fig. 9). Then, move the first walkboard up to the top ledge of the next frame section. Move the other two walkboards up for a complete decking. Secure in place by engaging all wind locks. Repeat the above steps to reach your desired height.

NOTE: When required, access ladder or stair sections must be installed at the same time as each scaffold section is added.

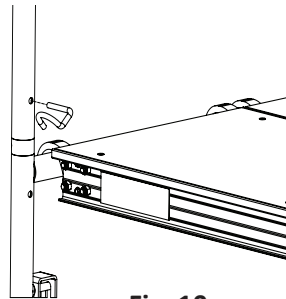
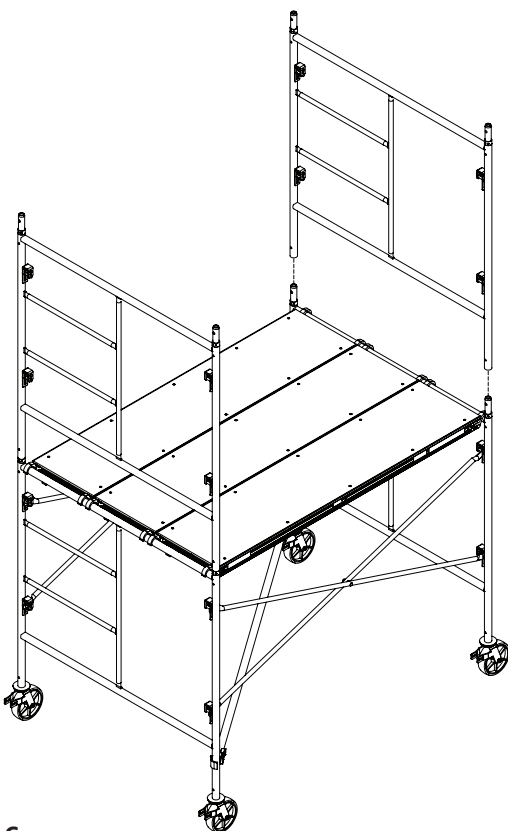


Fig. 10

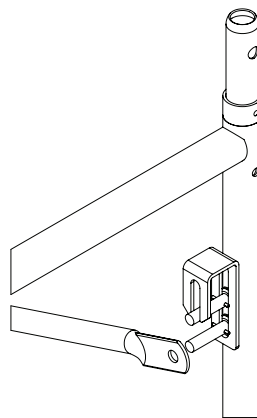
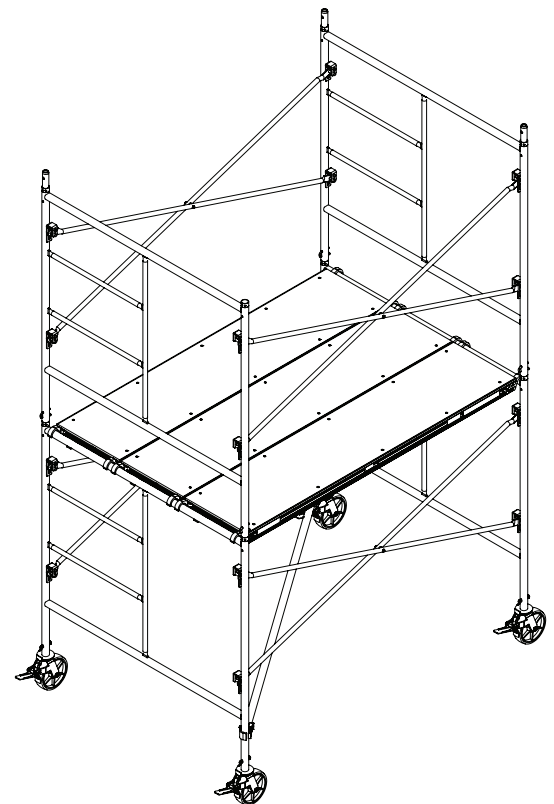


Fig. 11

C-Lock (standard lock type)



STEP 7 - Guardrailing

Upon completion of tower to desired height, install walkboards to fully deck platform work area. Secure walkboards in place by engaging windlocks. Then, hoist end guard panels to the top level and place on frames (Fig. 11). Secure in place with pig tail pins. Next, install side guard panels by connecting them to the end guard panels, and secure in place with frame brace locks (Fig. 12). Then, install toeboards by sliding into place, below the side guard panels (Fig. 13), and secure in place with hinge pins (Fig. 14). Guardrailing is required on all 4 sides by OSHA. See OSHA regulations for additional information concerning securing decking.

Fig. 11

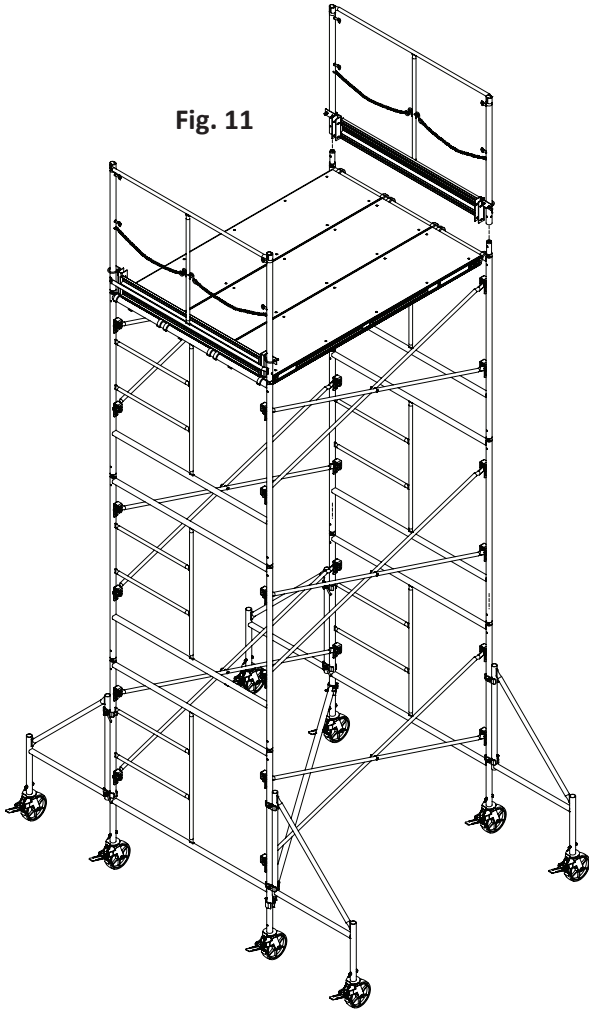


Fig. 12

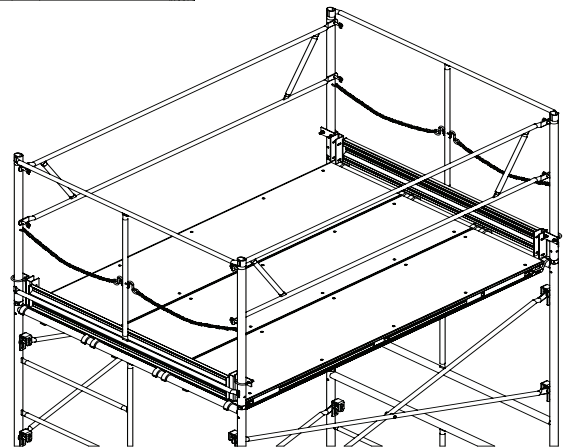
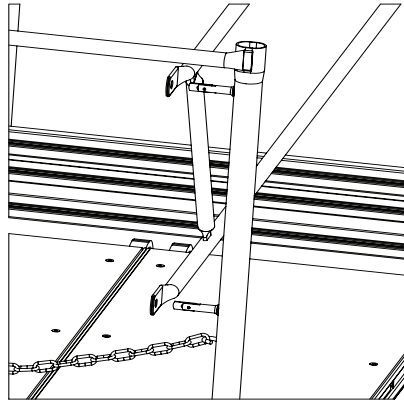


Fig. 13

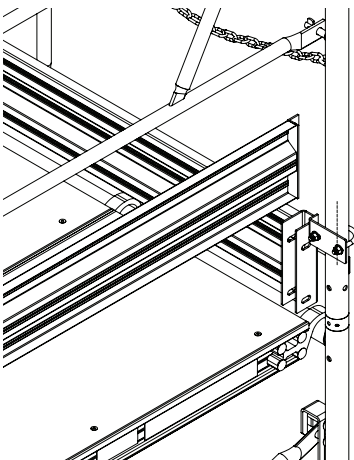
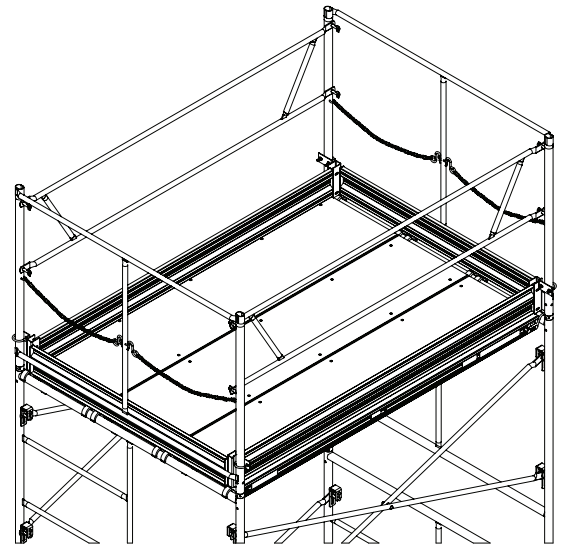
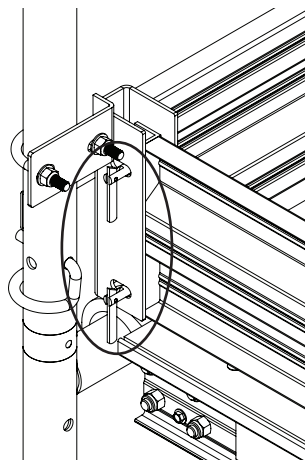


Fig. 14



SCAFFOLD TOWER

Assembly Instructions



125 Taylor Parkway
Archbold, OH 43502

Phone: 419.445.8915
Toll Free: 800.537.0540
Fax: 419.445.0367

biljax.com

©2023 BilJax, Inc.

P/N : LL-204-11
Last Revision: March 2023