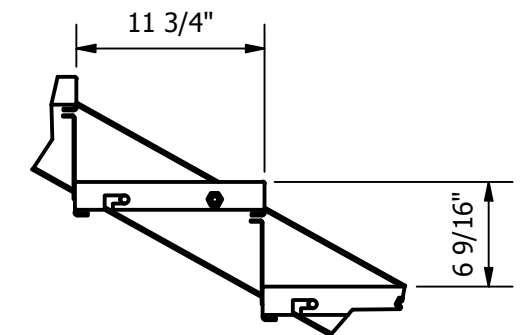


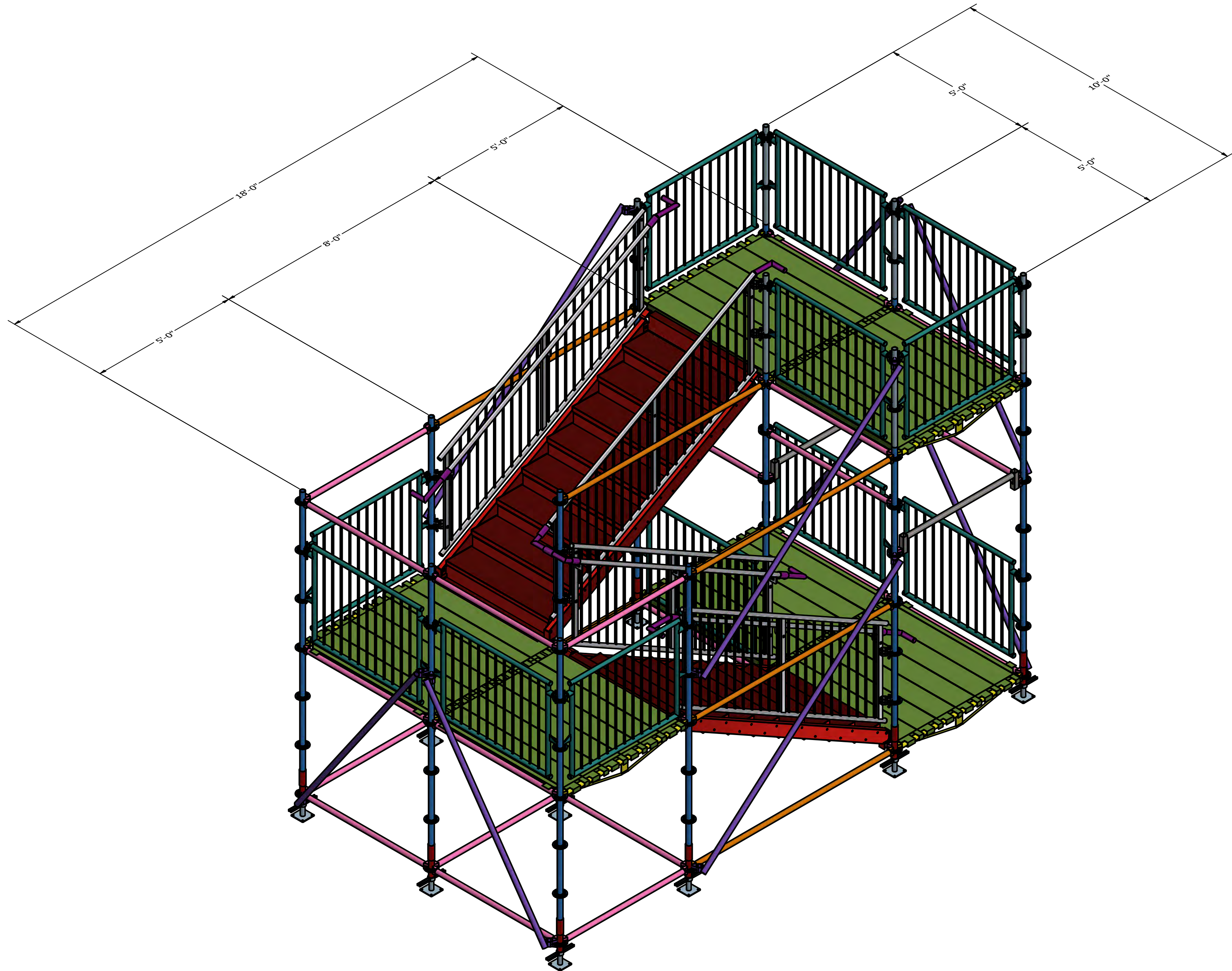
PARTS LIST			
ITEM	QTY	PART NUMBER	DESCRIPTION
1	2	08141	TOP IBC RISER
2	2	08142	IBC BOTTOM RISER
3	12	UBC	BASE COLLAR
4	6	UD50	5'-0" DIAGONAL BRACING
5	4	UD80	8'-0" DIAGONAL BRACING
6	27	UH50	5'-0" SYSTEM HORIZONTAL
7	12	UH50GR-IBC	5'-0" IBC GUARDRAIL
8	3	UH50HB-IBC	5'-0" HORIZ. HEAD BAR
9	9	UH80	8'-0" SYSTEM HORIZONTAL
10	9	UHT50	5'-0" SYSTEM HORIZONTAL TRUSS
11	6	US33	3'-3" SYSTEM STANDARD
12	12	US99	9'-9" SYSTEM STANDARD
13	12	USJ20	SYSTEM SCREW JACK
14	30	USP50ADG	5'-0" "A" STYLE STEEL PLANK
15	6	USP50ADG-IBC	5'-0" "A" STYLE STEEL END PLANK
16	3	USSEHRBC-IBC	EXTERNAL HANDRAIL BOTTOM CORNER
17	2	USSEHRTL-IBC	EXTERNAL HANDRAIL TOP LEFT CORNER
18	1	USSEHRTRC-IBC	EXTERNAL HANDRAIL TOP RIGHT CORNER
19	1	USSIHRC-IBC	INTERNAL HANDRAIL CONNECTOR
20	2	USSL80-IBC	8' LEFT STAIR STRINGER
21	2	USSL80HR-IBC	8' LEFT STAIR HANDRAIL
22	2	USSR80-IBC	8' RIGHT STAIR STRINGER
23	2	USSR80HR-IBC	8' RIGHT STAIR HANDRAIL
24	14	UST40-IBC	4'-0' TYPICAL STAIR TREAD
25	2	UST40T-IBC	4'-0' TOP STAIR TREAD



STAIR TREAD DETAIL

	550 W. New Castle St. Zelienople, PA 16063 Phone: (724) 452-8300 Toll Free: (800) 836-8780 Fax: (724) 452-0576	
	2 LEVEL IBC STAIR	
DRAWING NUMBER <b>2LVL-IBC</b> REV: 1 SHEET OF	DRAWN: SJF DATE: 1/3/2017 SCALE:	CHECKED: REV. DATE: 8/13/19 JOB CODE:
DWG SIZE: B SEE UNIVERSAL MANUFACTURING CORP. ENGINEERING DEPT. FOR LATEST REVISIONS		

TYPICAL 2 LEVEL 10' X 18' IBC STAIR TOWER



## PARTS LIST

QTY	PART NUMBER	DESCRIPTION
1	08141	TOP IBC RISER
1	U1LSL-IBC	LEFT 1 ROSETTE LANDING STRINGER WITH HANDRAIL
1	U1LSR-IBC	RIGHT 1 ROSETTE LANDING STRINGER WITH HANDRAIL
1	UST40SB-IBC	4'-0" STARTER BOTTOM STAIR TREAD
1	UST40T-IBC	4'-0" TOP STAIR TREAD

U1RLS - 1 ROSETTE LANDING STAIR

PARTS LIST

QTY	PART NUMBER	DESCRIPTION
1	08141	TOP IBC RISER
1	U2LSL-IBC	LEFT 2 ROSETTE LANDING STRINGER WITH HANDRAIL
1	U2LSR-IBC	RIGHT 2 ROSETTE LANDING STRINGER WITH HANDRAIL
3	UST40-IBC	4'-0" TYPICAL STAIR TREAD
1	UST40SB-IBC	4'-0" STARTER BOTTOM STAIR TREAD
1	UST40T-IBC	4'-0" TOP STAIR TREAD

U2RLS - 2 ROSETTE LANDING STAIR



## PARTS LIST

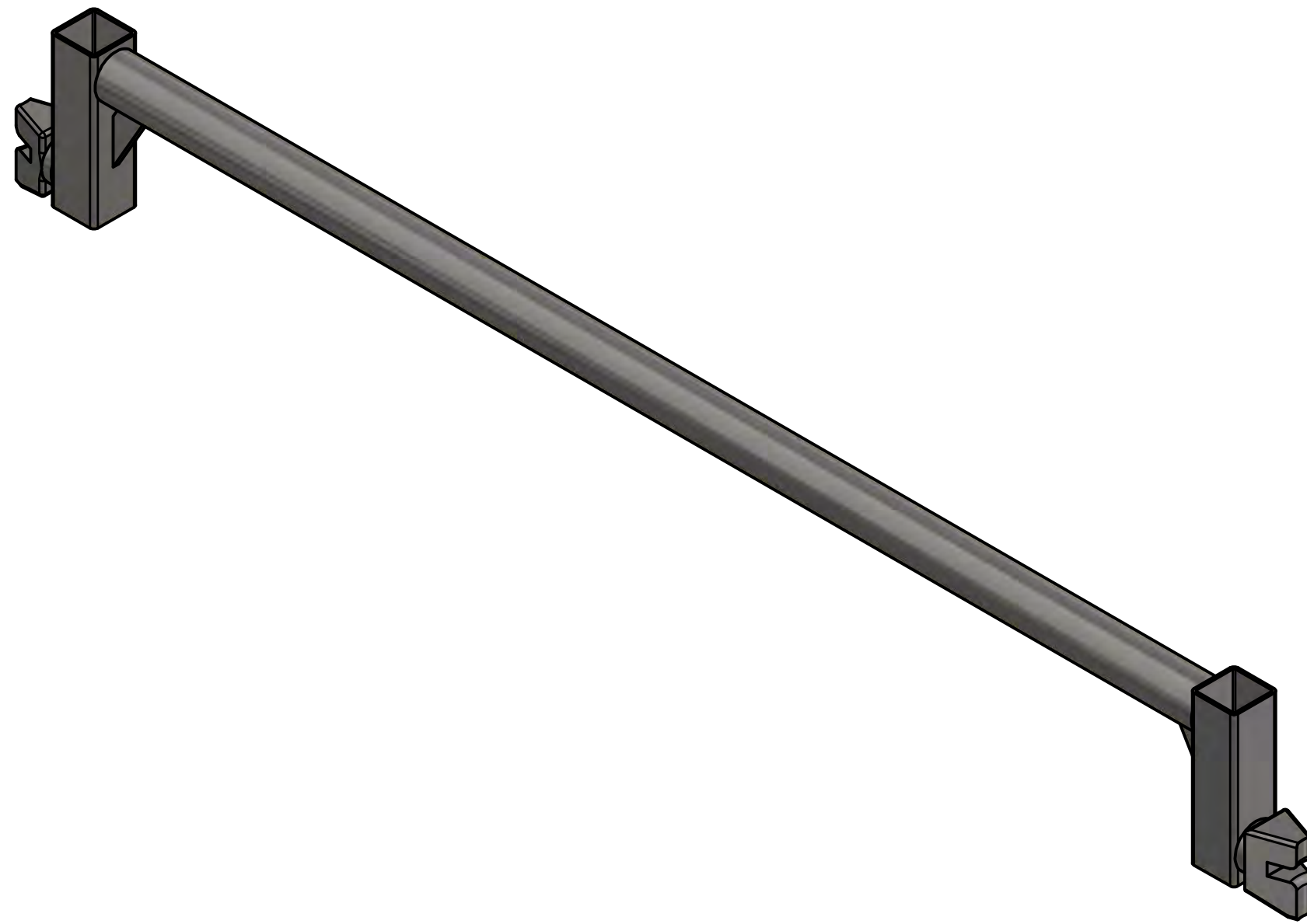
QTY	PART NUMBER	DESCRIPTION
1	08141	TOP IBC RISER
1	08142	IBC BOTTOM RISER
1	USSL80-IBC	8' LEFT STAIR STRINGER
1	USSL80HR-IBC	8' LEFT STAIR HANDRAIL
1	USSR80-IBC	8' RIGHT STAIR STRINGER
1	USSR80HR-IBC	8' RIGHT STAIR HANDRAIL
7	UST40-IBC	4'-0" TYPICAL STAIR TREAD
1	UST40T-IBC	4'-0" TOP STAIR TREAD

TYPICAL 3 ROSETTE STAIR

UH50GR-IBC  
5' GUARDRAIL PANEL  
43 LBS



UH50HB-IBC  
5' HORIZONTAL HEAD BAR  
17 LBS



USSL80-IBC  
LEFT STAIR STRINGER  
58 LBS



DETAIL A



USSR80-IBC  
RIGHT STAIR STRINGER  
58 LBS

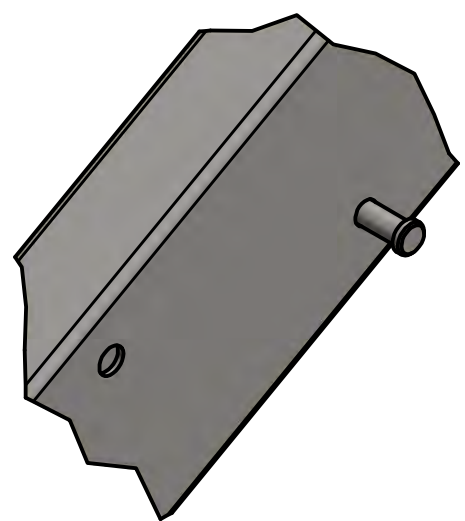


DETAIL A

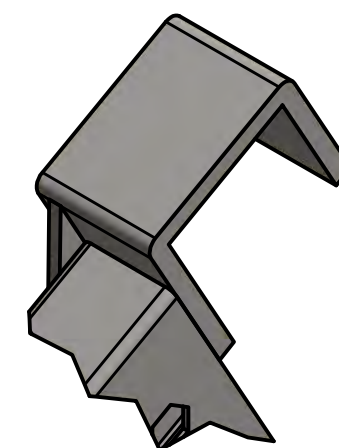
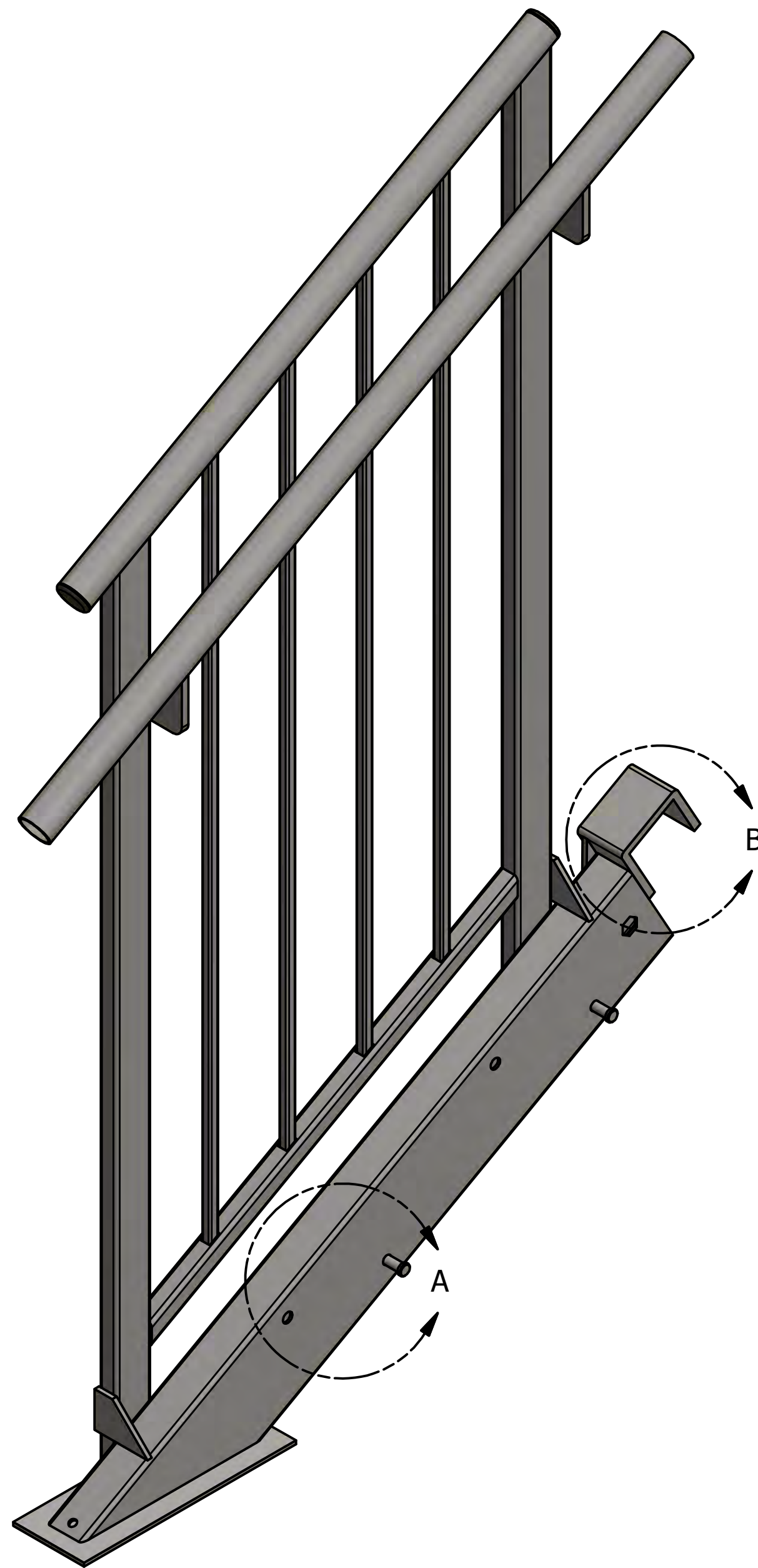
USSL80HR-IBC  
LEFT STAIR STRINGER HANDRAIL  
107 LBS



U1LSL-IBC  
1 ROSETTE LANDING STAIR  
LEFT WITH HANDRAIL  
53 LBS



DETAIL A

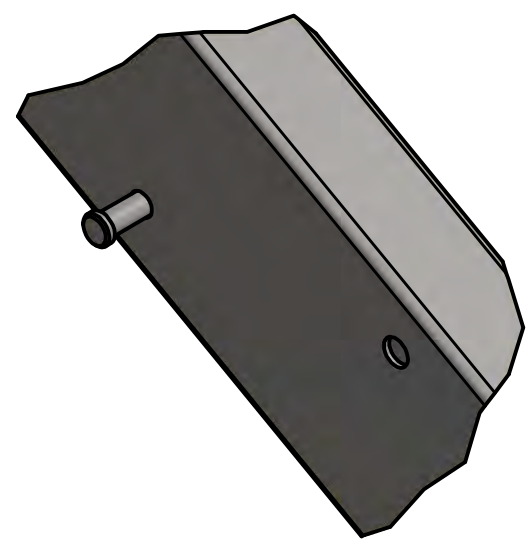


DETAIL B

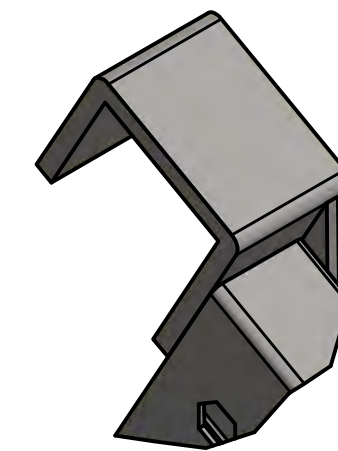
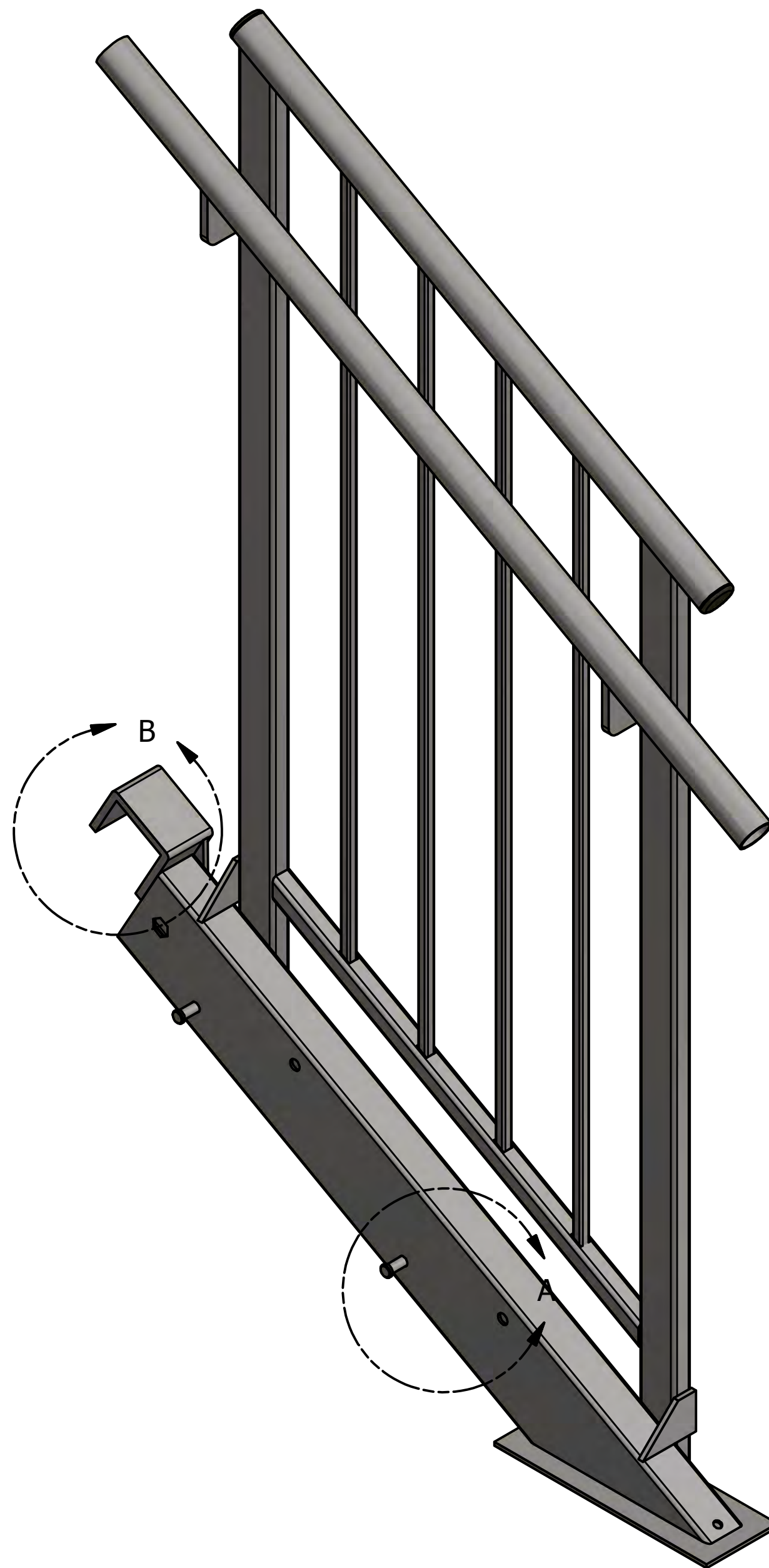
USSR80HR-IBC  
RIGHT STAIR STRINGER HANDRAIL  
107 LBS



U1LSR-IBC  
1 ROSETTE LANDING STAIR  
RIGHT WITH HANDRAIL  
53 LBS

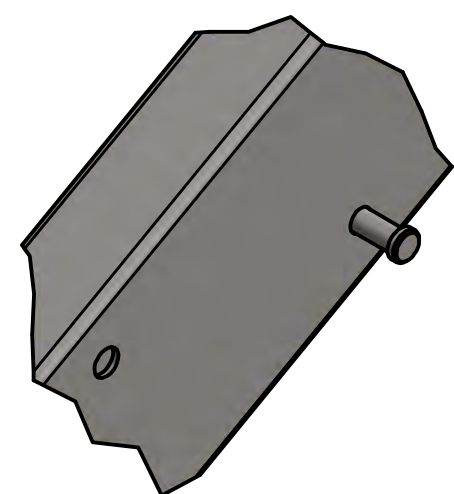


DETAIL A

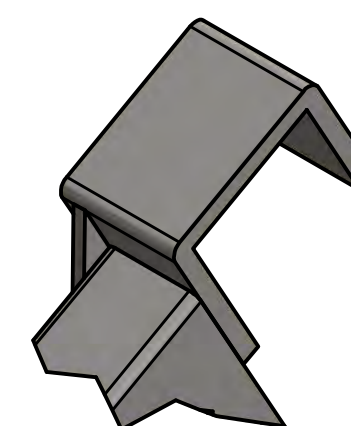


DETAIL B

U2LSL-IBC  
2 ROSETTE LANDING STAIR  
LEFT WITH HANDRAIL  
88 LBS

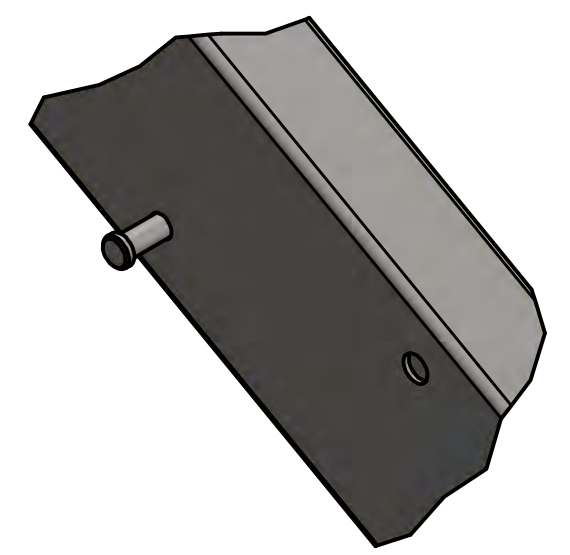


DETAIL A

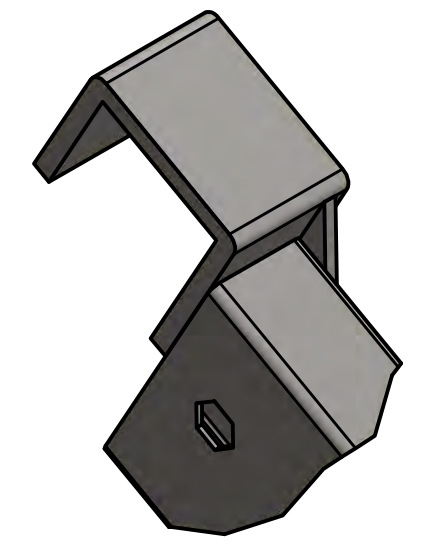


DETAIL B

U2LSR-IBC  
2 ROSETTE LANDING STAIR  
RIGHT WITH HANDRAIL  
88 LBS

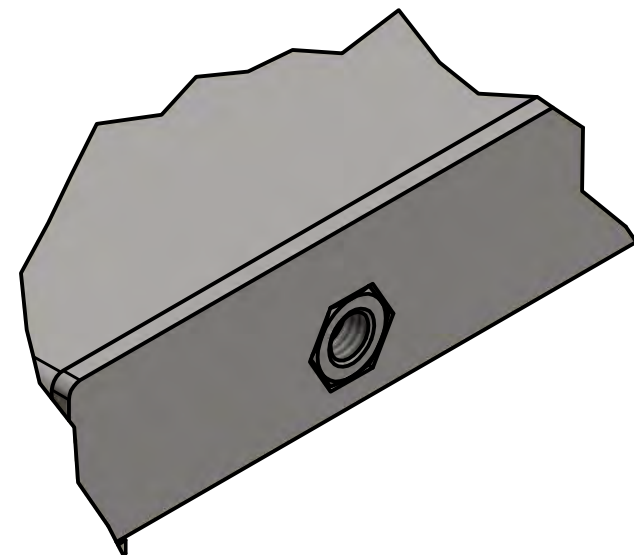
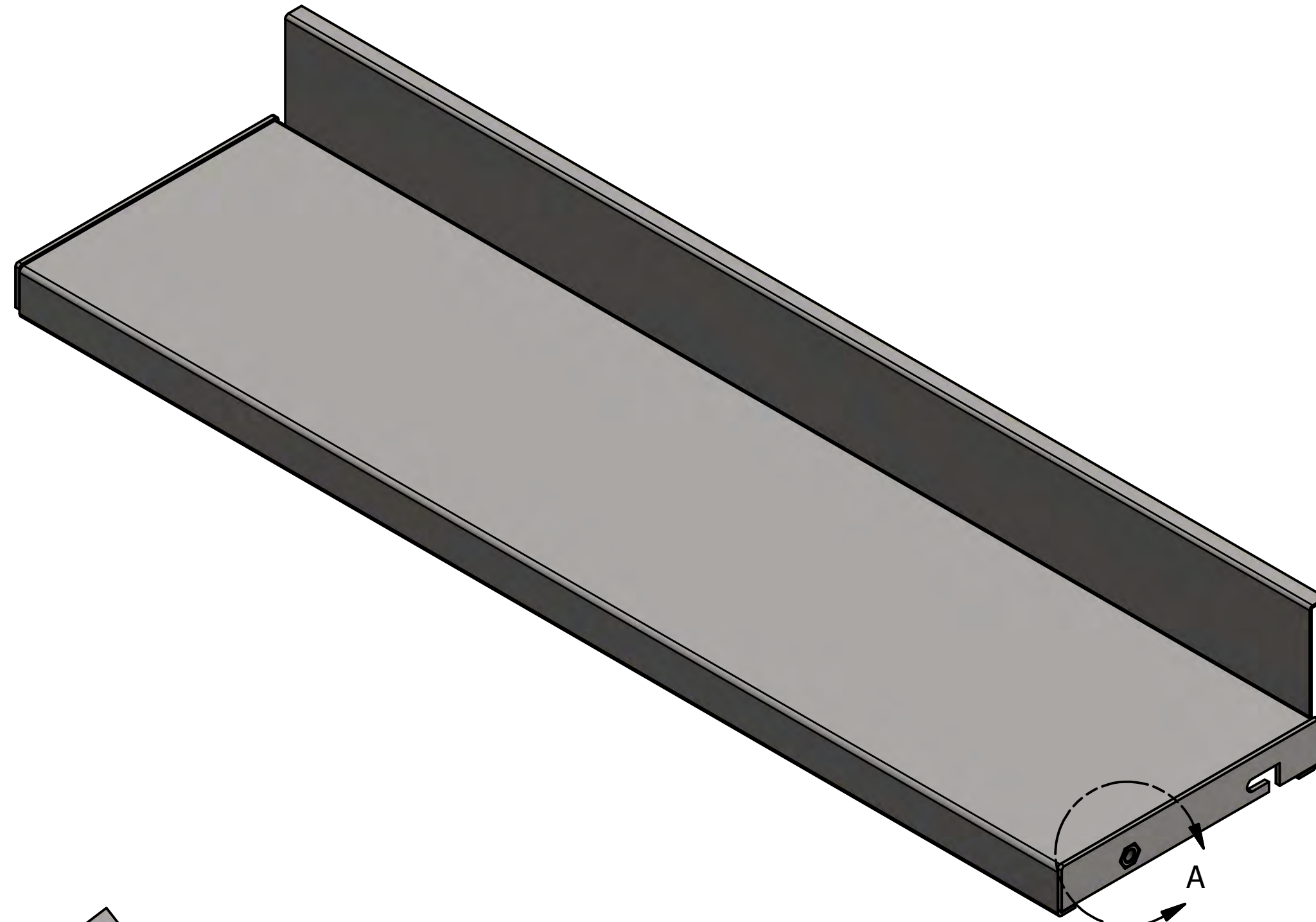


DETAIL A



DETAIL B

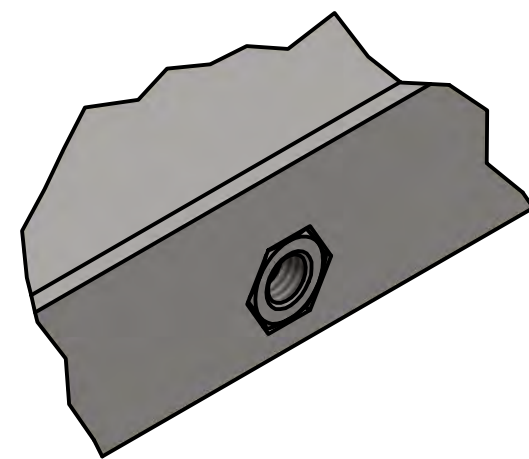
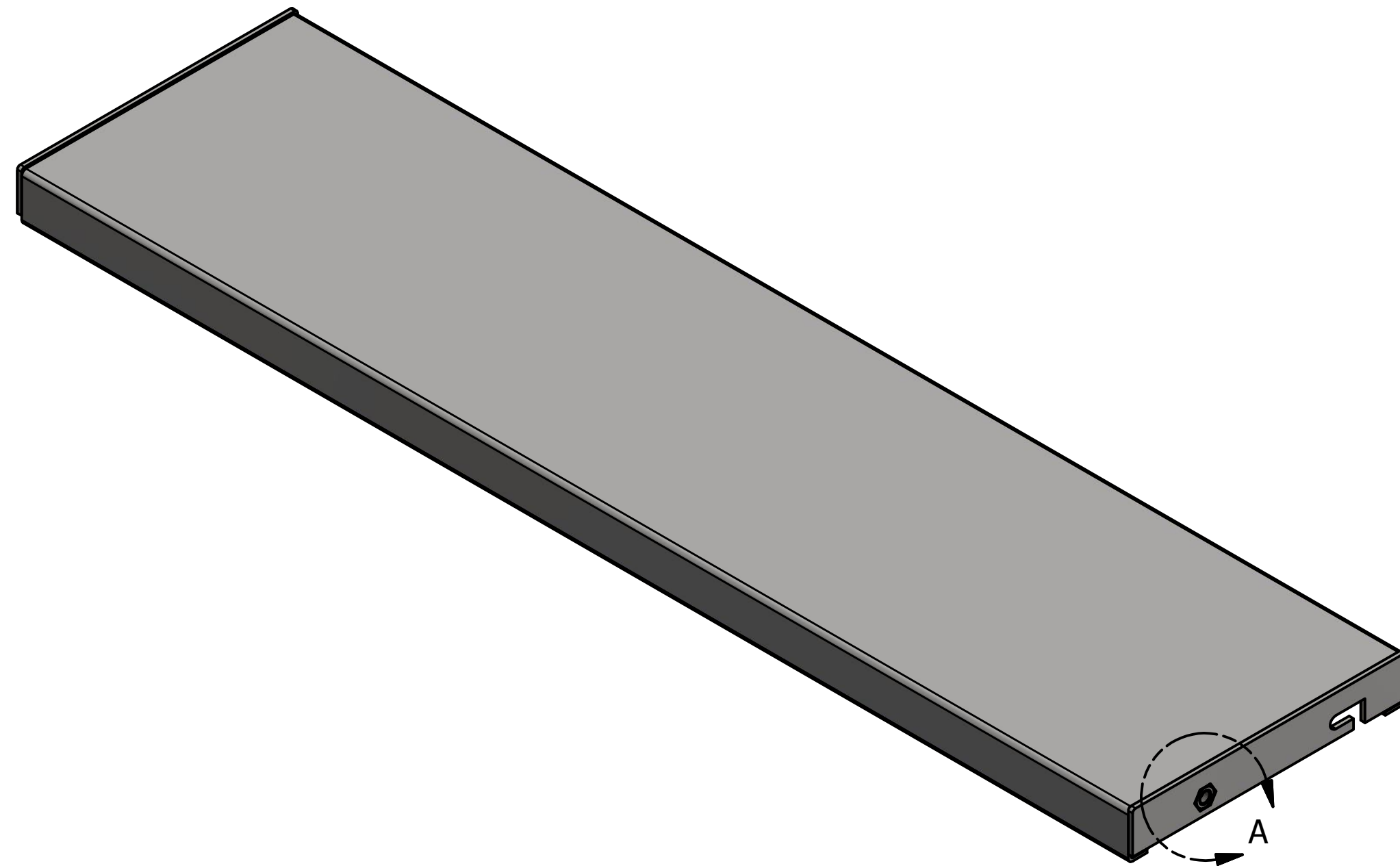
UST40-IBC  
4'-0" TYPICAL  
STAIR TREAD  
38 LBS



DETAIL A

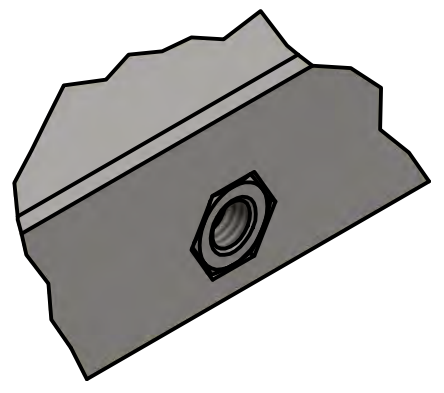
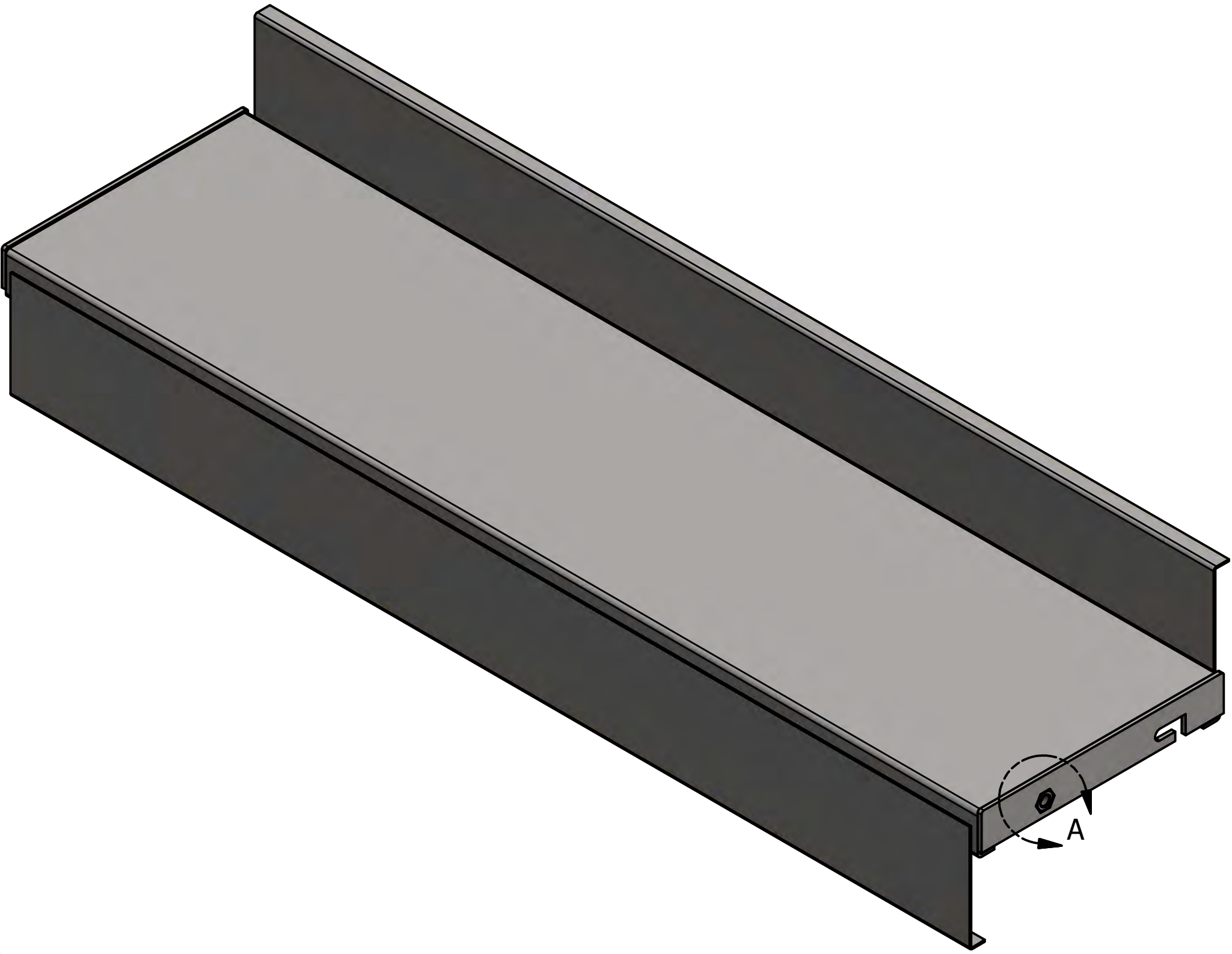


UST40T-IBC  
4'-0" TOP  
STAIR TREAD  
31 LBS



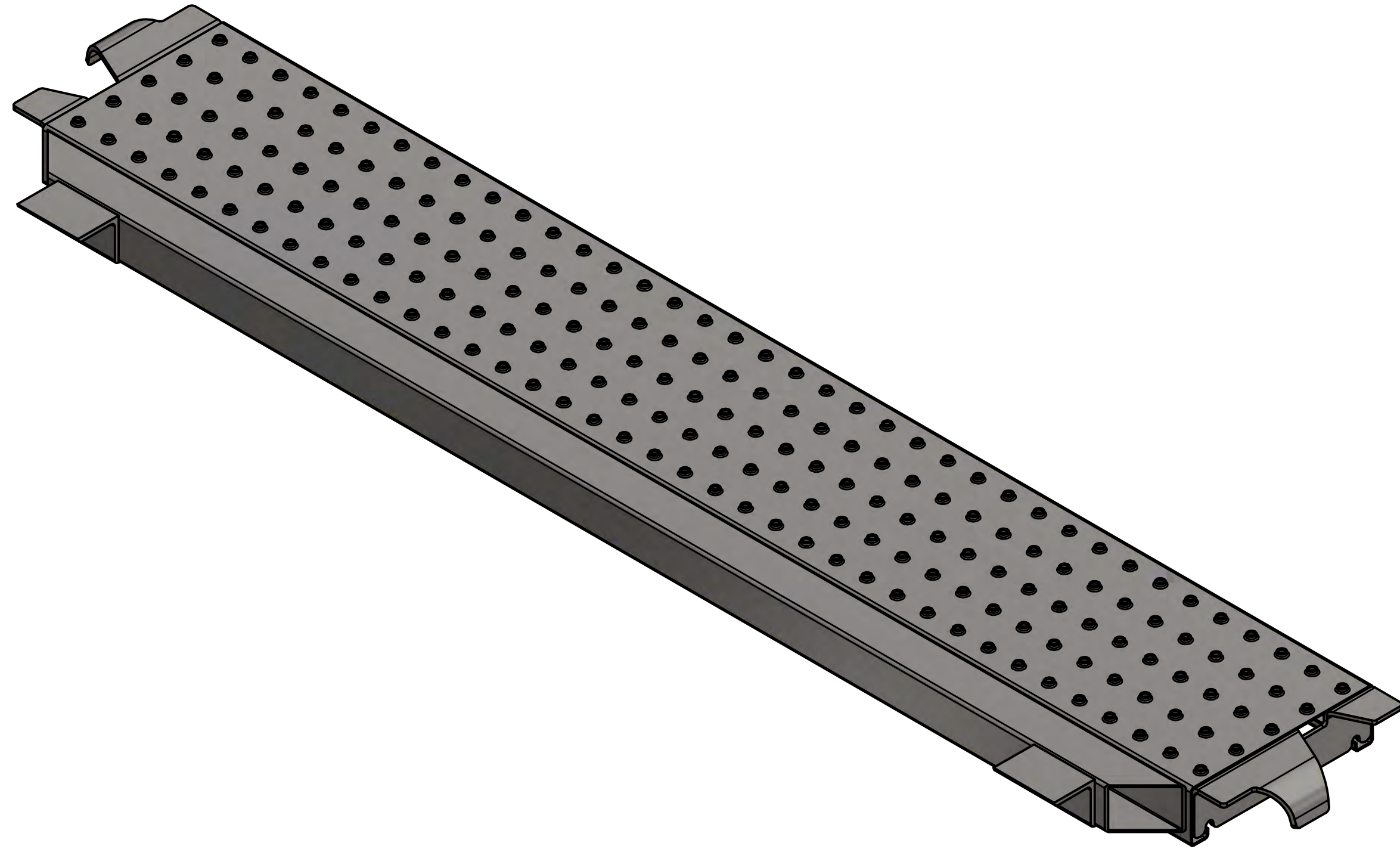
DETAIL A

UST40SB-IBC  
4'-0" STARTER BOTTOM  
STAIR TREAD  
43 LBS

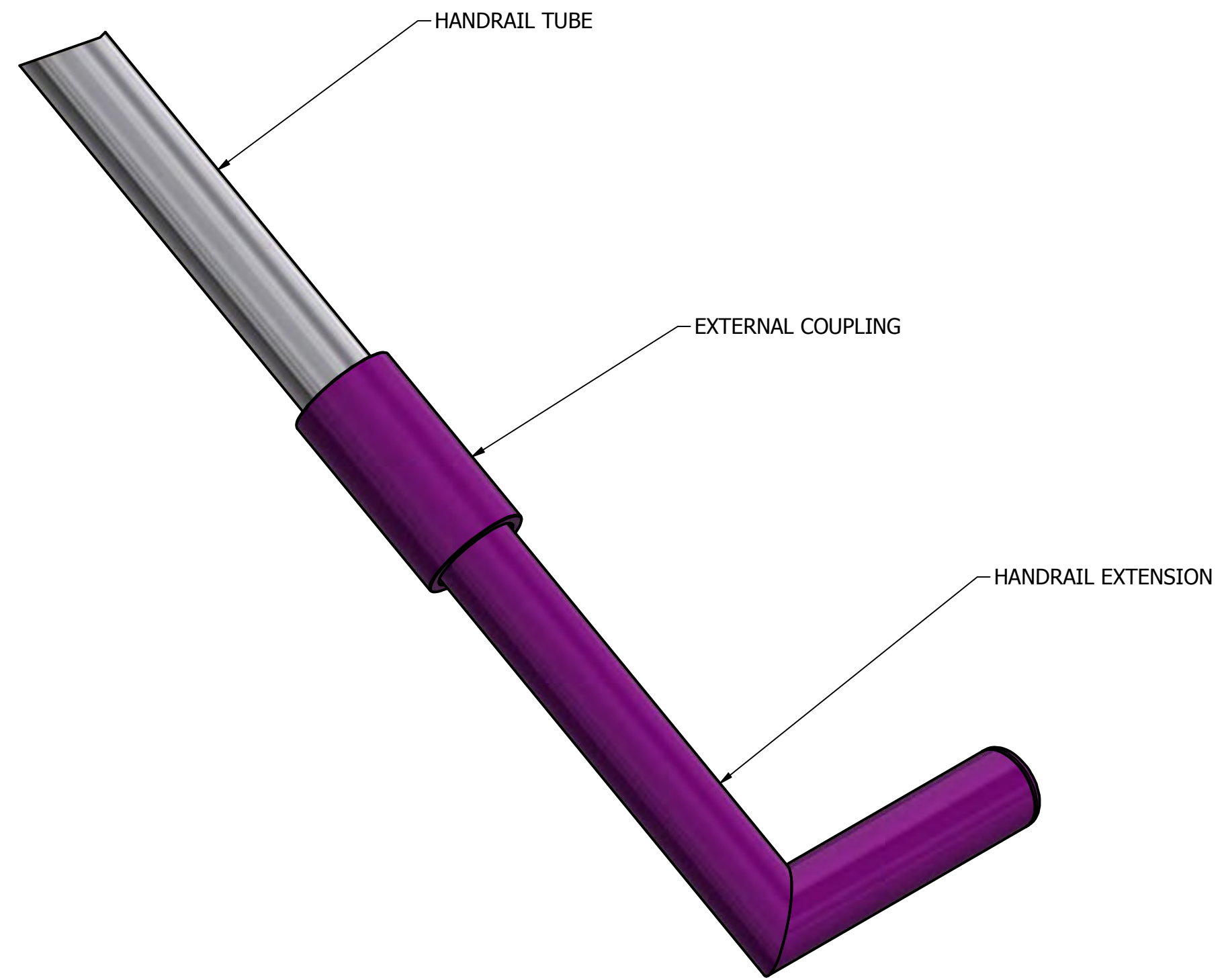


DETAIL A

USP50ADG-IBC  
5'-0" "A" STYLE  
STEEL END PLANK  
38 LBS



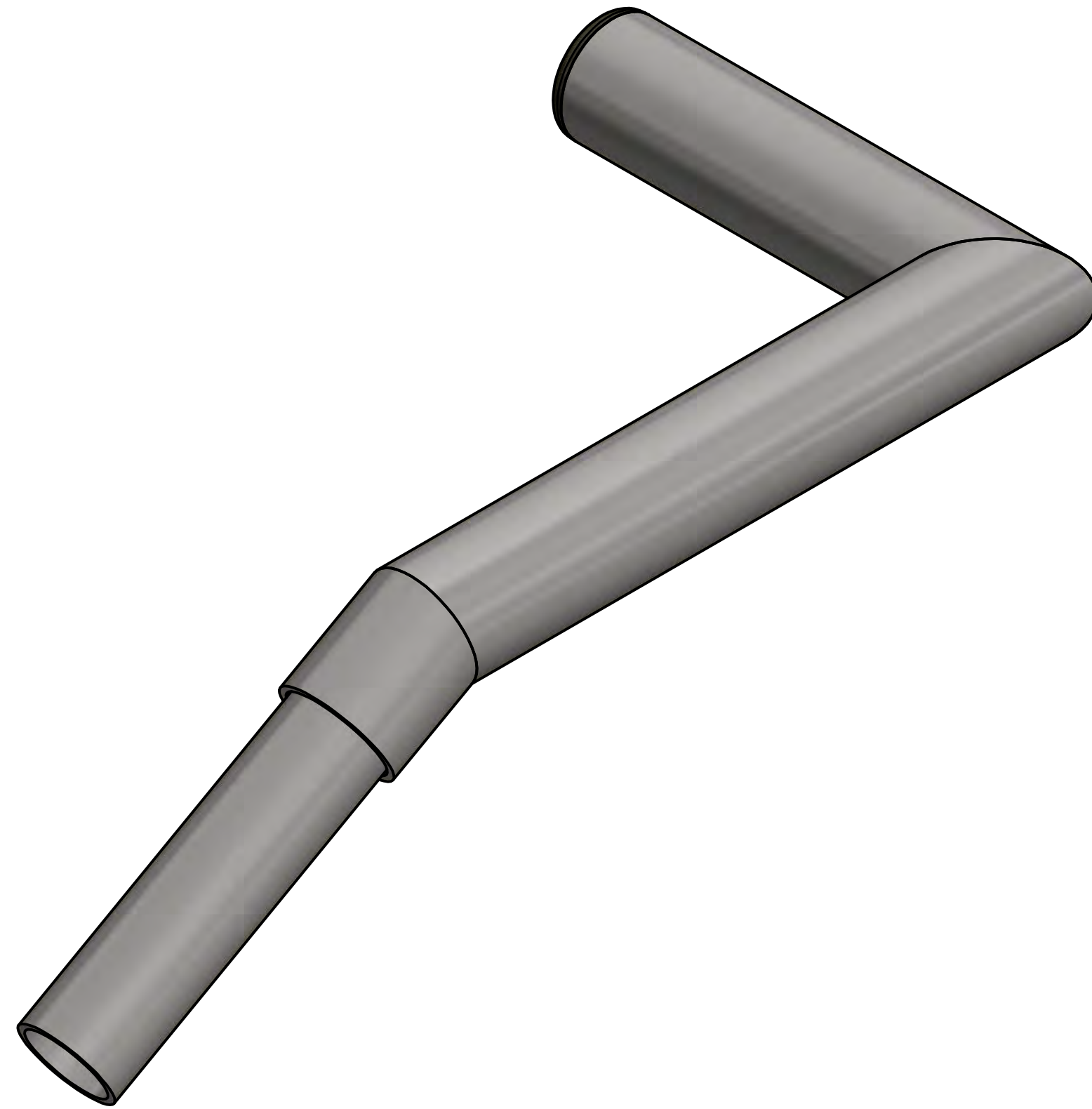
HANDRAIL CONNECTION  
DETAIL EXAMPLE



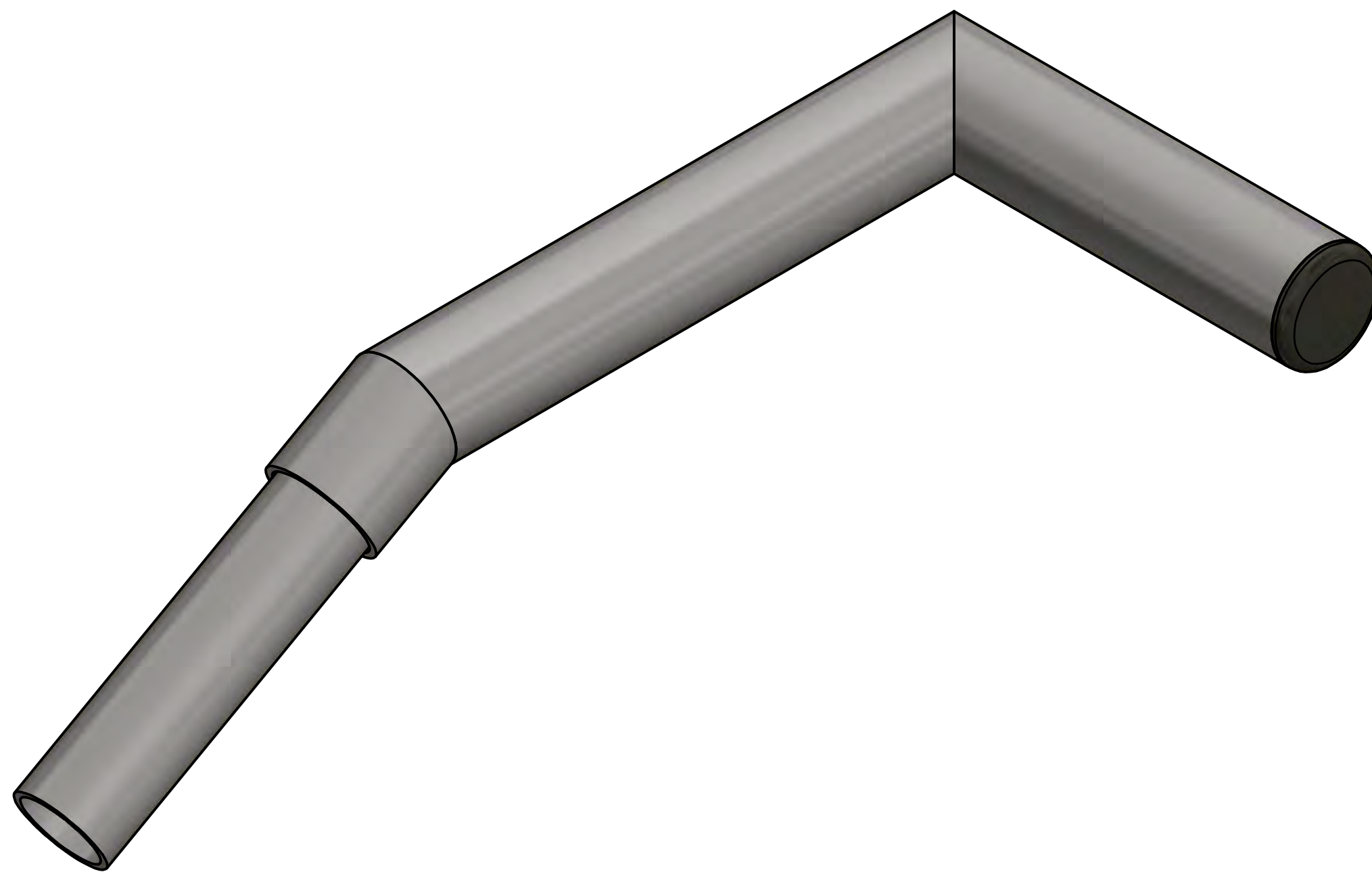
USSEHRBC-IBC  
EXTERNAL HANDRAIL  
BOTTOM CORNER  
5 LBS



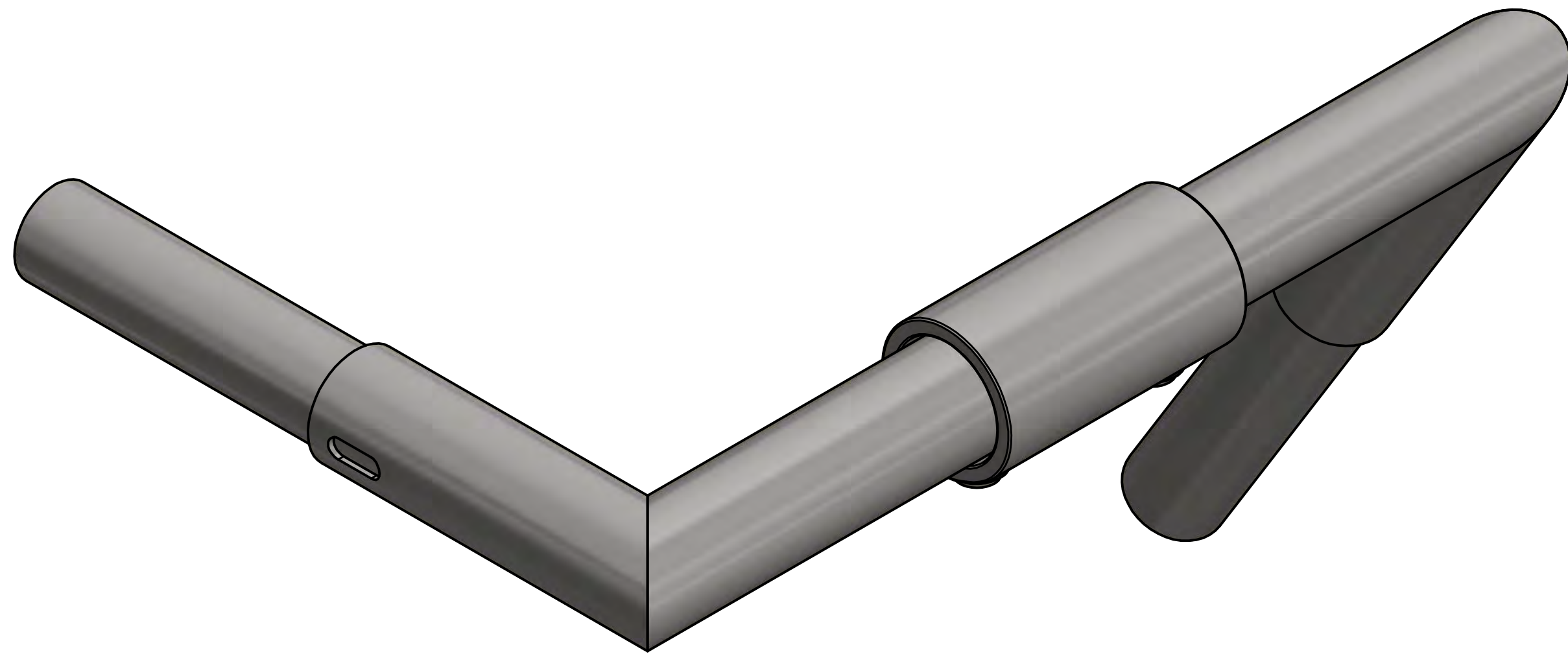
USSEHRTL-IBC  
EXTERNAL HANDRAIL  
TOP LEFT CORNER  
4 LBS



USSEHRTRC-IBC  
EXTERNAL HANDRAIL  
TOP RIGHT CORNER  
4 LBS

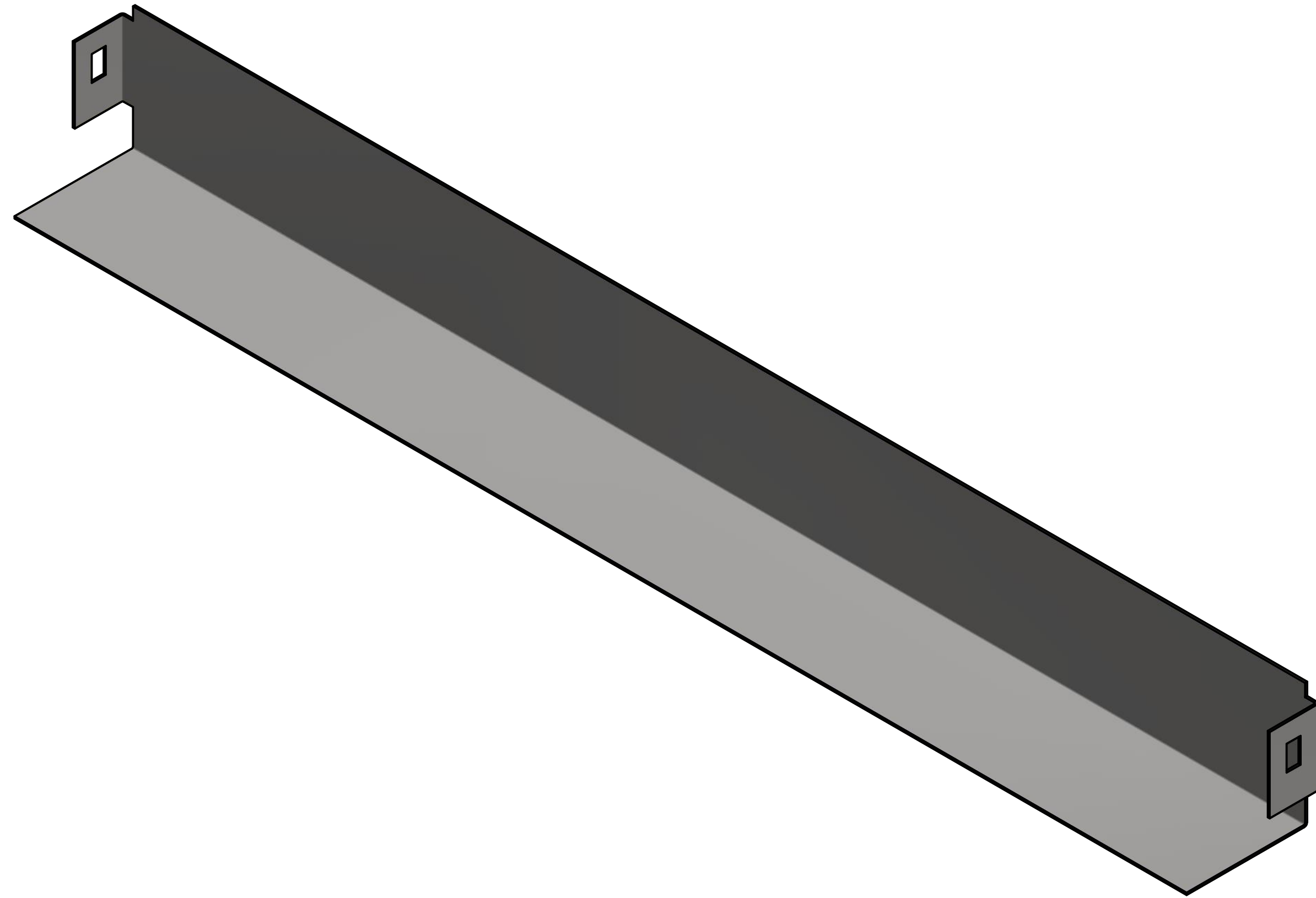


USSIHRC-IBC  
INTERNAL HANDRAIL CONNECTOR  
5 LBS





08142  
BOTTOM RISER  
12 LBS



08141  
TOP RISER  
17 LBS

