

# PUBLIC ACCESS STAIR ASSEMBLY SEQUENCE



**U** UNIVERSAL  
MANUFACTURING

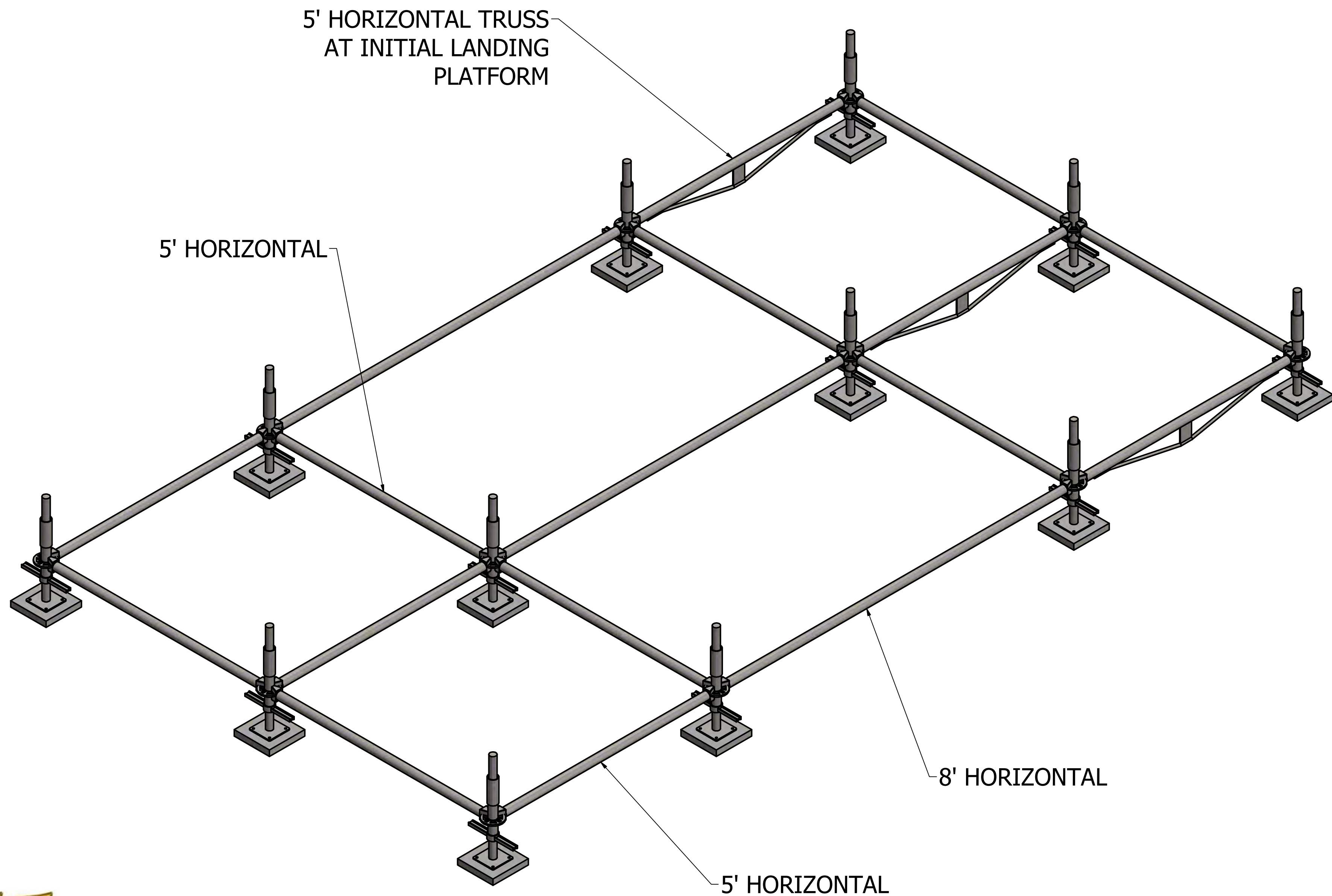
550 W. New Castle St.  
Zelienople, PA 16063  
Phone: (724) 452-8300  
Toll Free: (800) 836-8780  
Fax: (724) 452-0576

## TABLE OF CONTENTS

STEP 1 (BASE ASSEMBLY) .....	1
STEP 2 (BASE HORIZONTAL ASSEMBLY) .....	2
STEP 3 (COLUMN ASSEMBLY) .....	3
STEP 4 (HORIZONTAL ASSEMBLY) .....	4
STEP 5 (INITIAL LANDING PLATFORM) .....	5
STEP 6 (STAIR ASSEMBLY) .....	6
USSL80-IBC / USSL80-IBC INSTALL .....	7
UST40-IBC INSTALL (BASE) .....	8-9
UST40-IBC INSTALL (TYPICAL) .....	10
UST40T-IBC INSTALL (TOP) .....	11
TOP & BOTTOM RISER INSTALL .....	12
STEP 7 (STAIR HANDRAIL) .....	13
STEP 8 (LANDING PLATFORM) .....	14
STEP 9 (HORIZONTAL ASSEMBLY) .....	15
STEP 10 (COMPLETED TOP LANDING) .....	16
STEP 11 (HANDRAIL CONNECTORS) .....	17
ONE RING STAIR EXAMPLE .....	18
TWO RING STAIR EXAMPLE .....	19
COMPONENT WEIGHT CHART .....	20

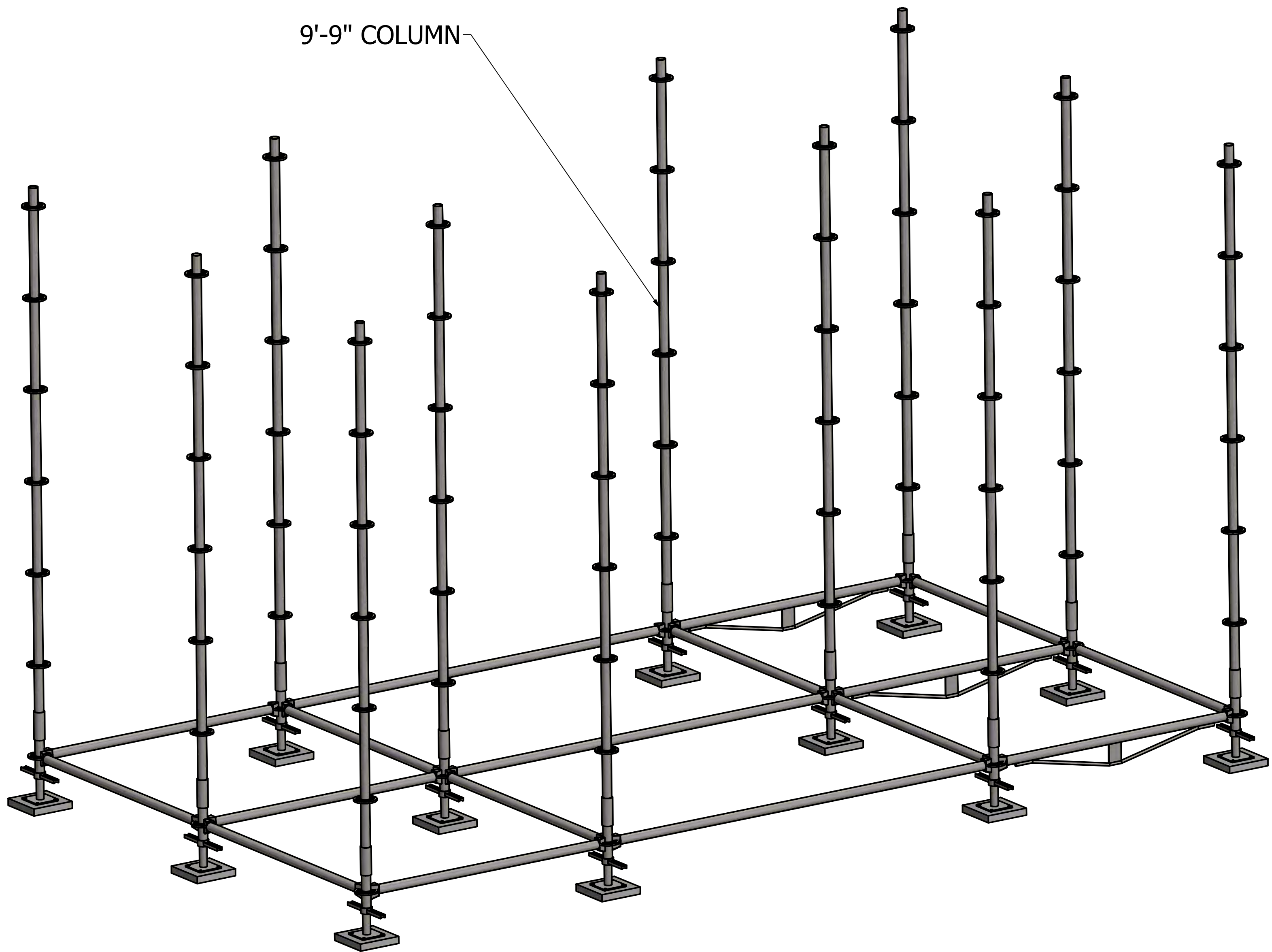








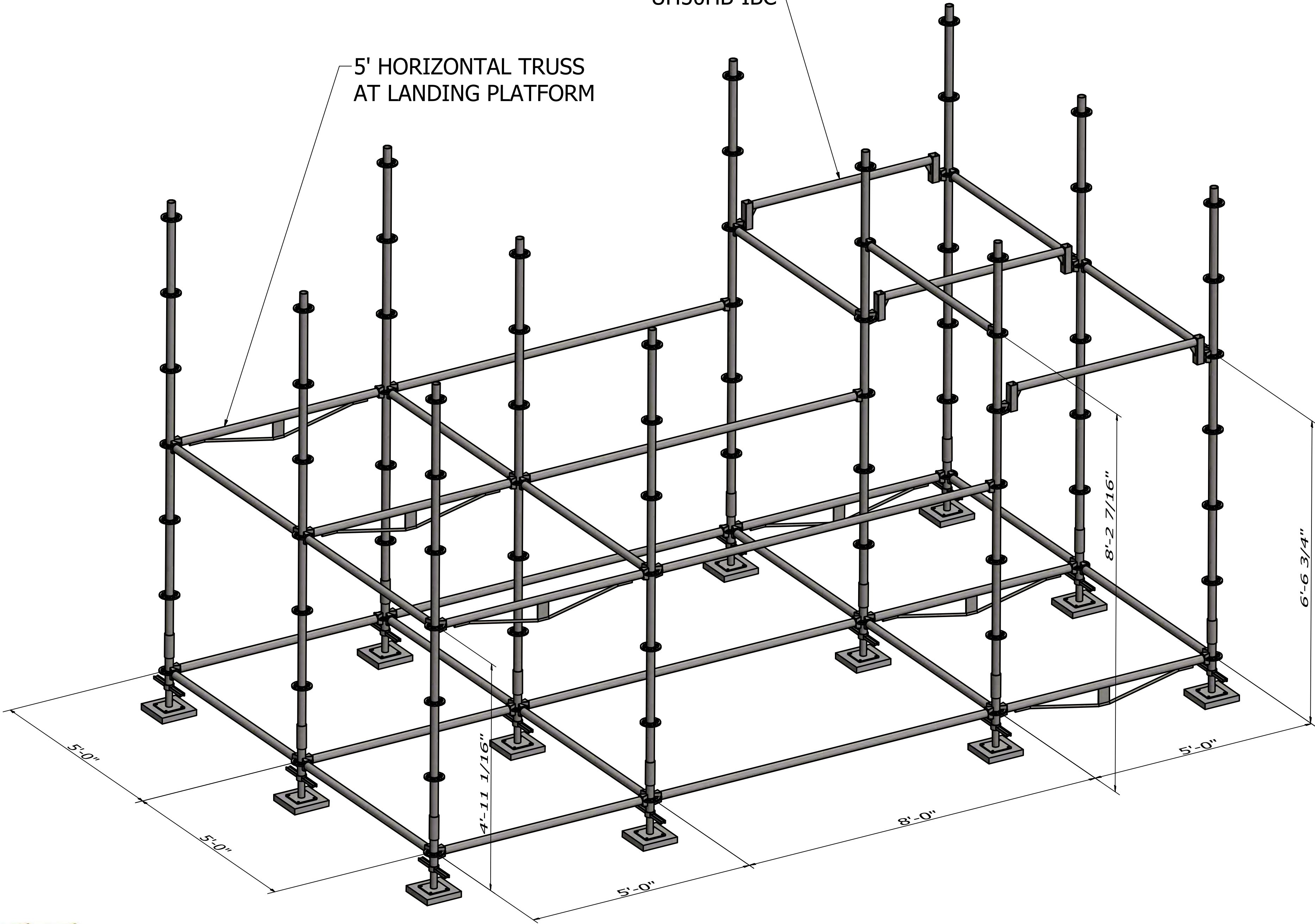
STEP 3



**STEP 4**

UH50HB-IBC

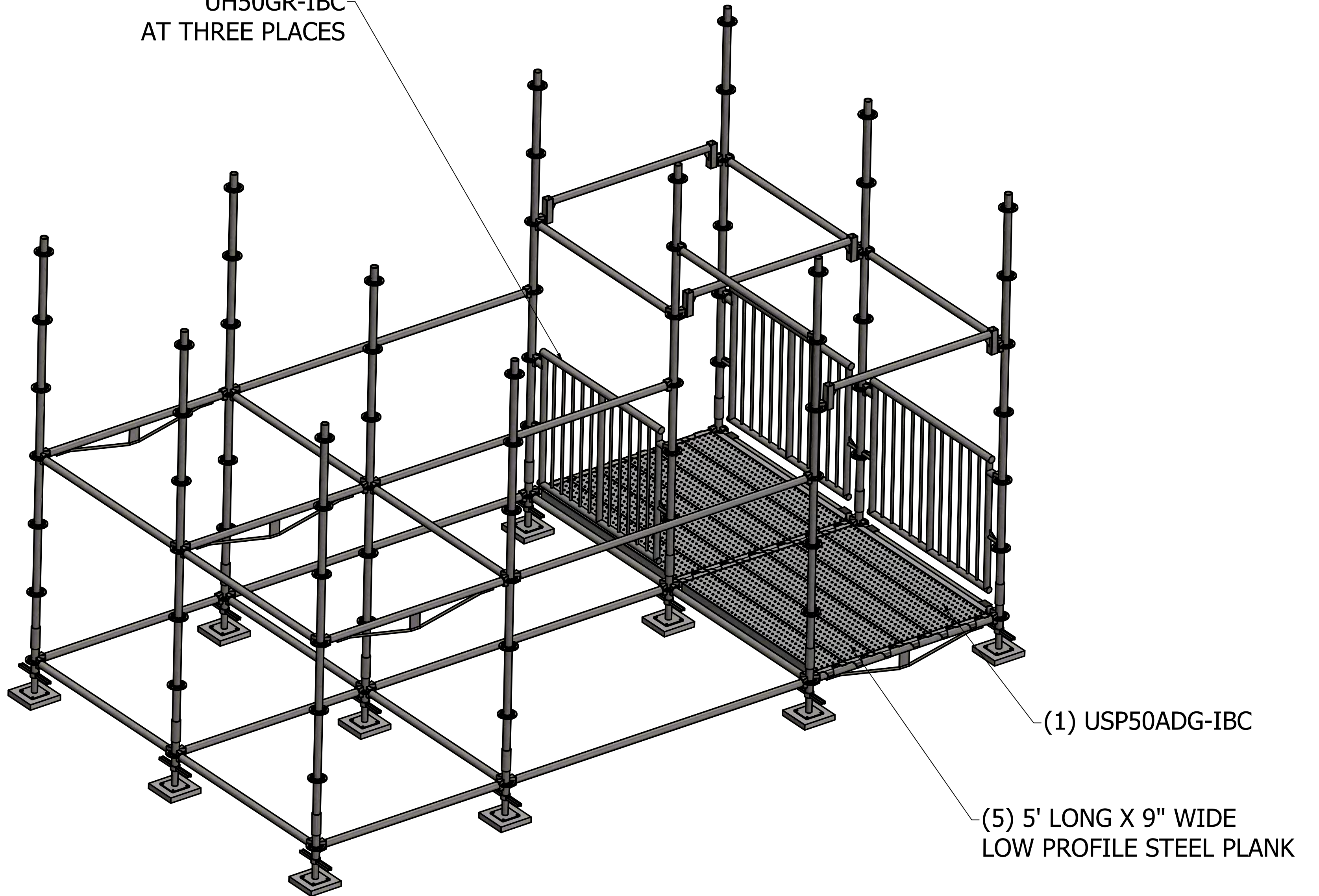
5' HORIZONTAL TRUSS AT LANDING PLATFORM





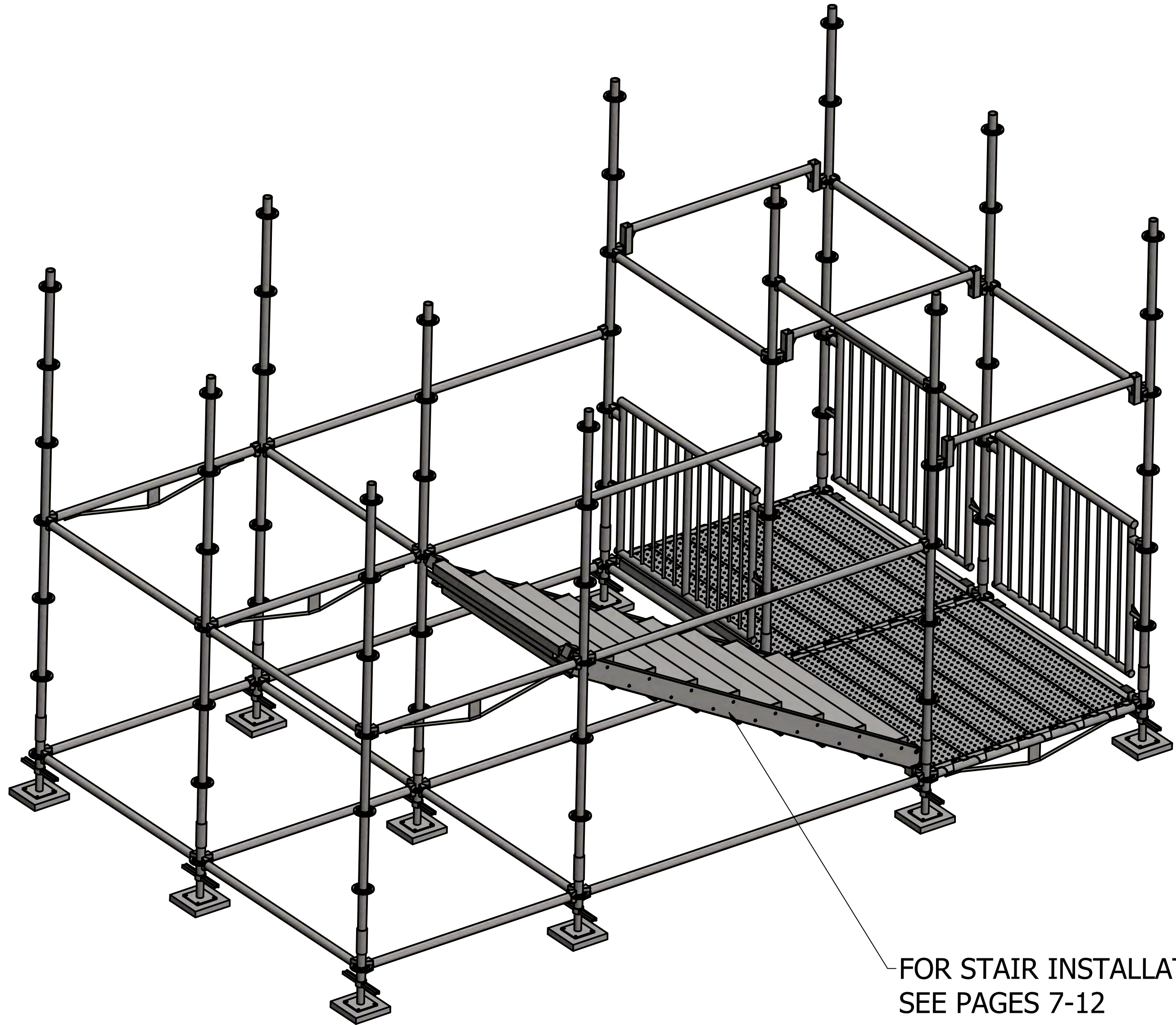
STEP 5

UH50GR-IBC  
AT THREE PLACES





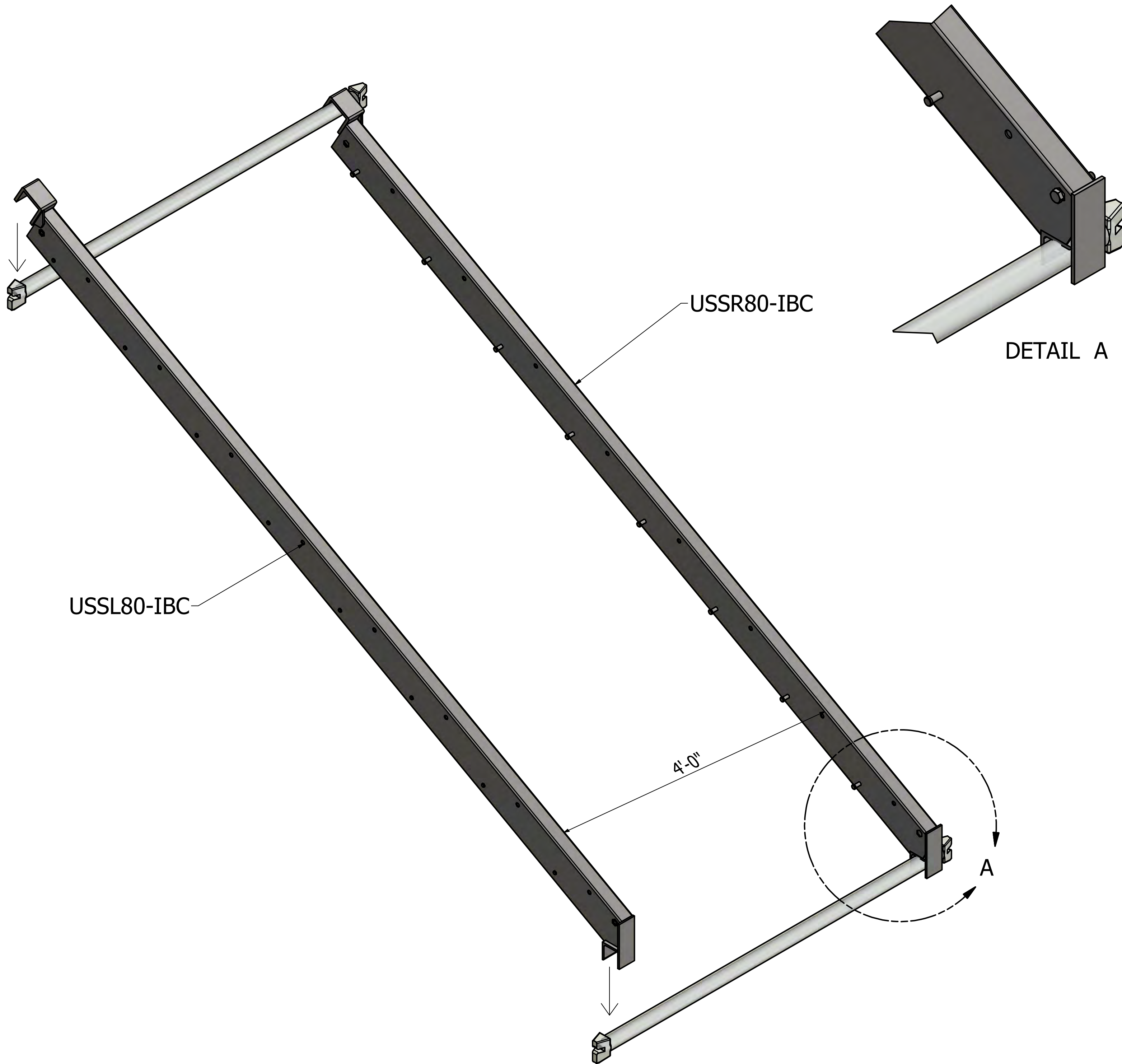
STEP 6

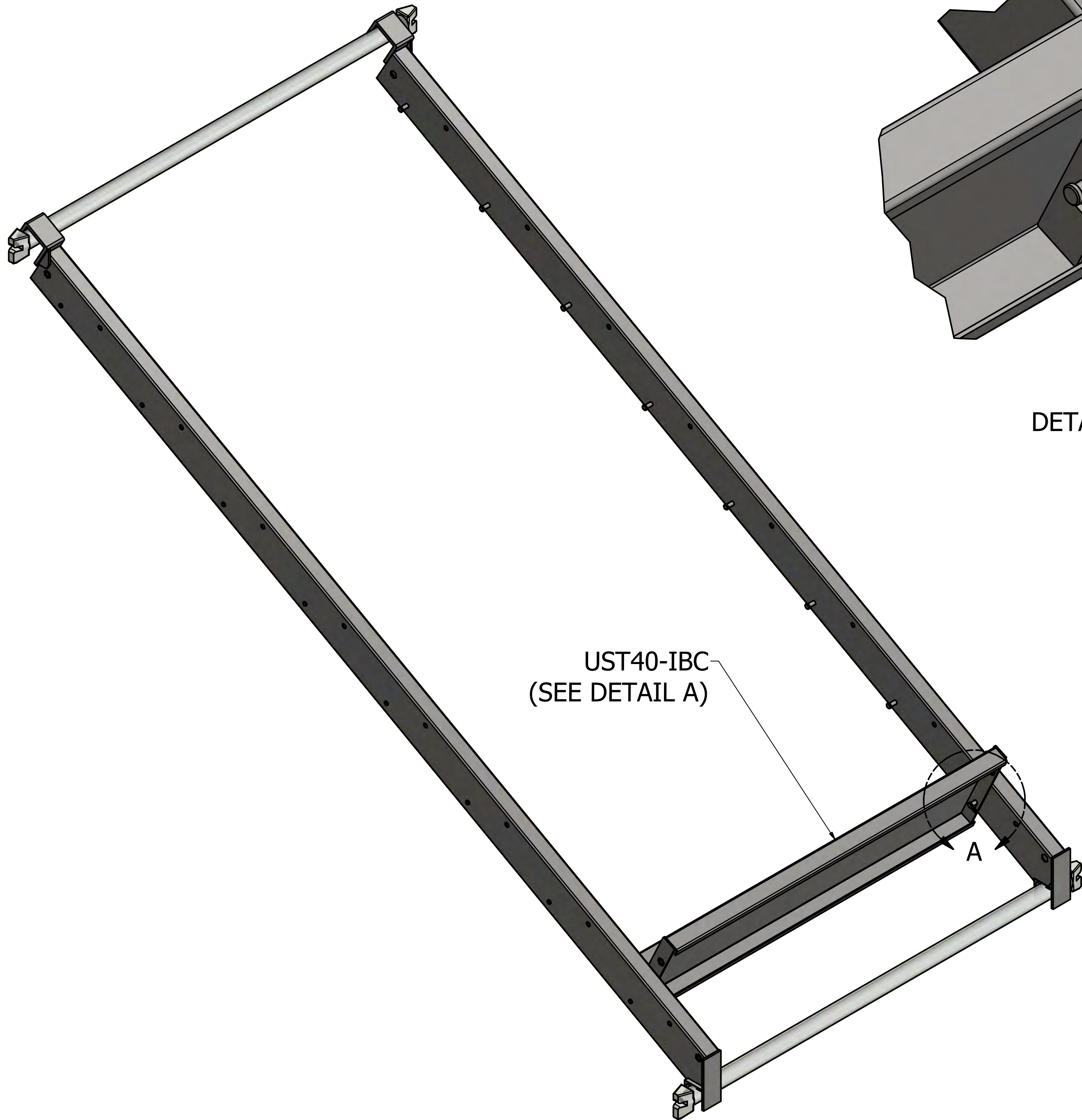


FOR STAIR INSTALLATION  
SEE PAGES 7-12







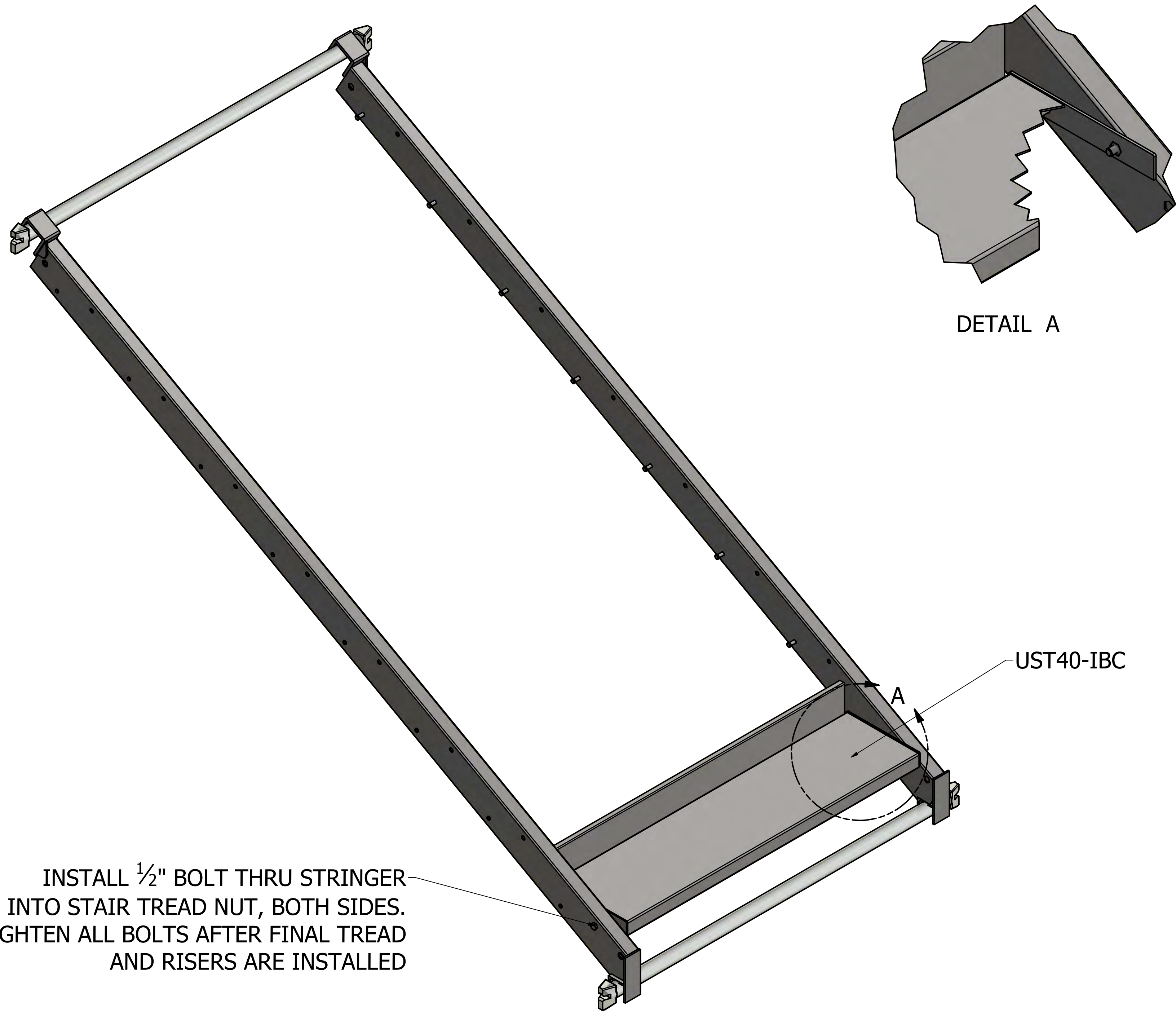


DETAIL A

UST40-IBC  
(SEE DETAIL A)

A



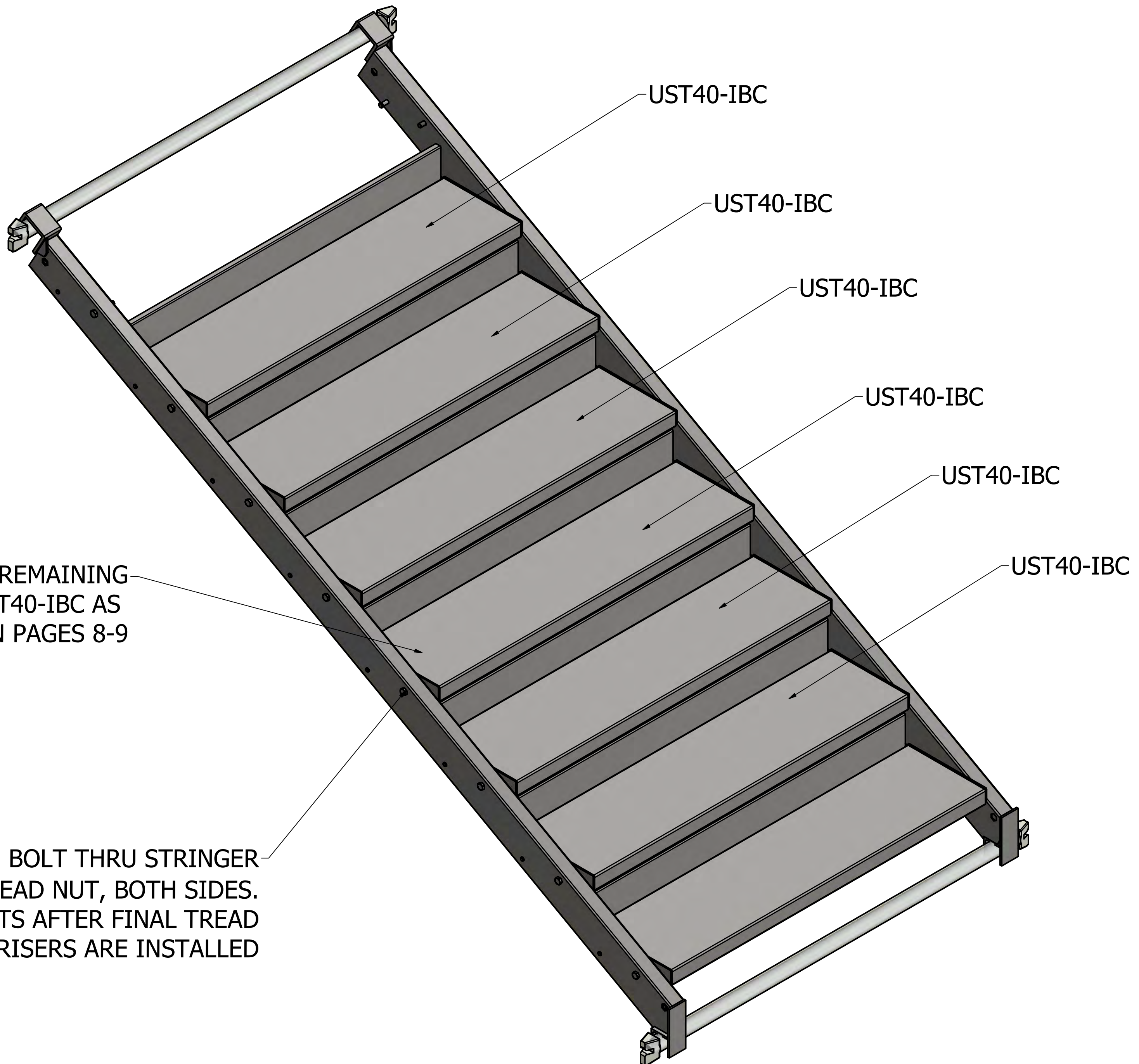


DETAIL A

UST40-IBC

INSTALL 1/2" BOLT THRU STRINGER INTO STAIR TREAD NUT, BOTH SIDES. TIGHTEN ALL BOLTS AFTER FINAL TREAD AND RISERS ARE INSTALLED





UST40-IBC

UST40-IBC

UST40-IBC

UST40-IBC

UST40-IBC

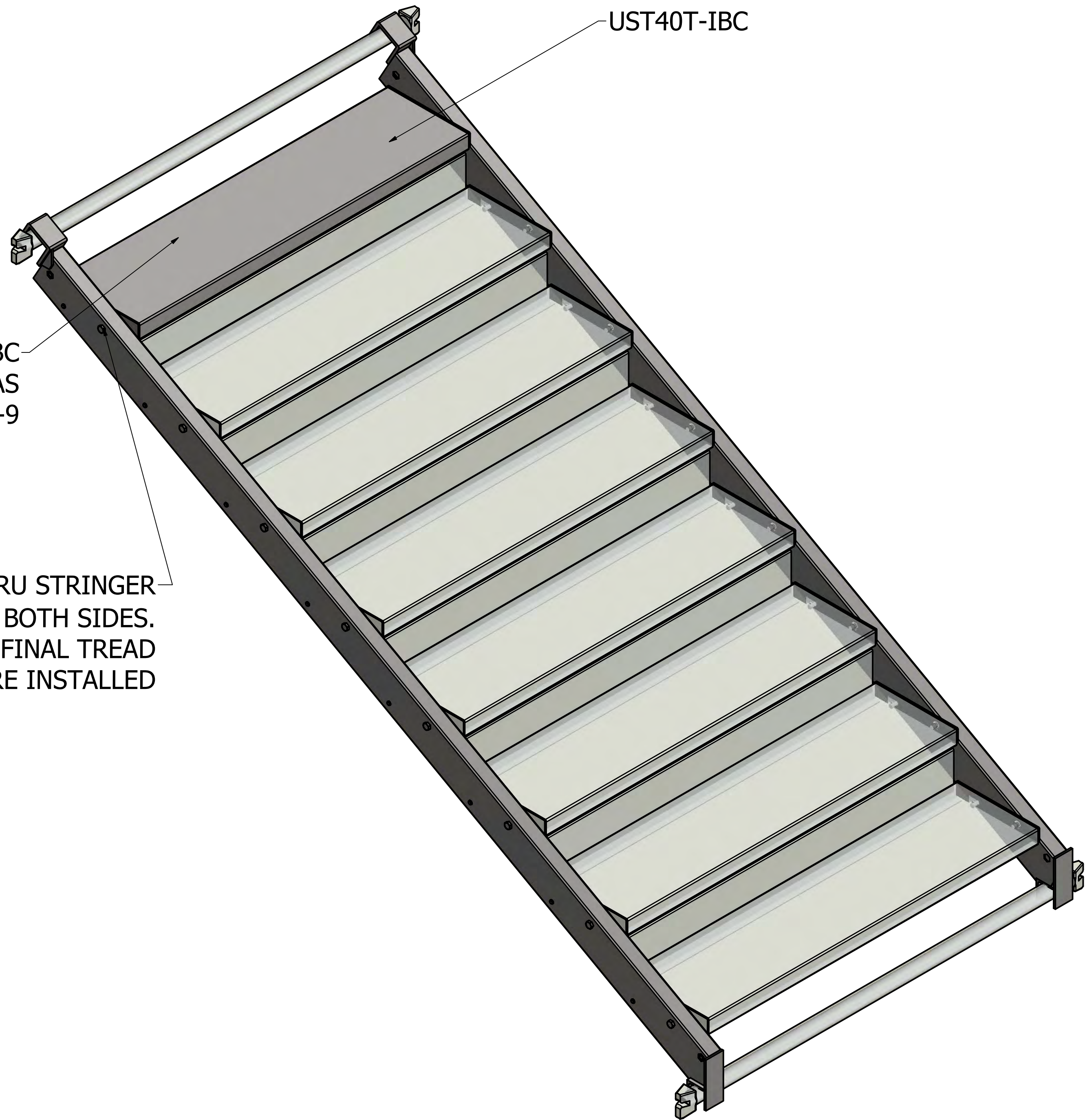
UST40-IBC

INSTALL (6) REMAINING  
UST40-IBC AS  
ILLUSTRATED ON PAGES 8-9

INSTALL 1/2" BOLT THRU STRINGER  
INTO STAIR TREAD NUT, BOTH SIDES.  
TIGHTEN ALL BOLTS AFTER FINAL TREAD  
AND RISERS ARE INSTALLED







UST40T-IBC

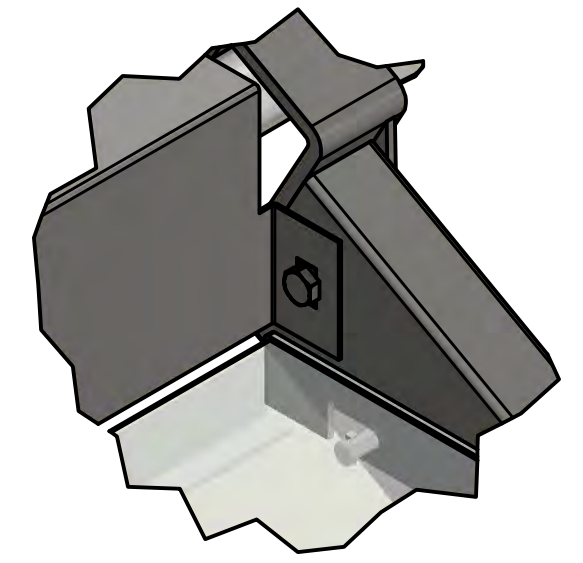
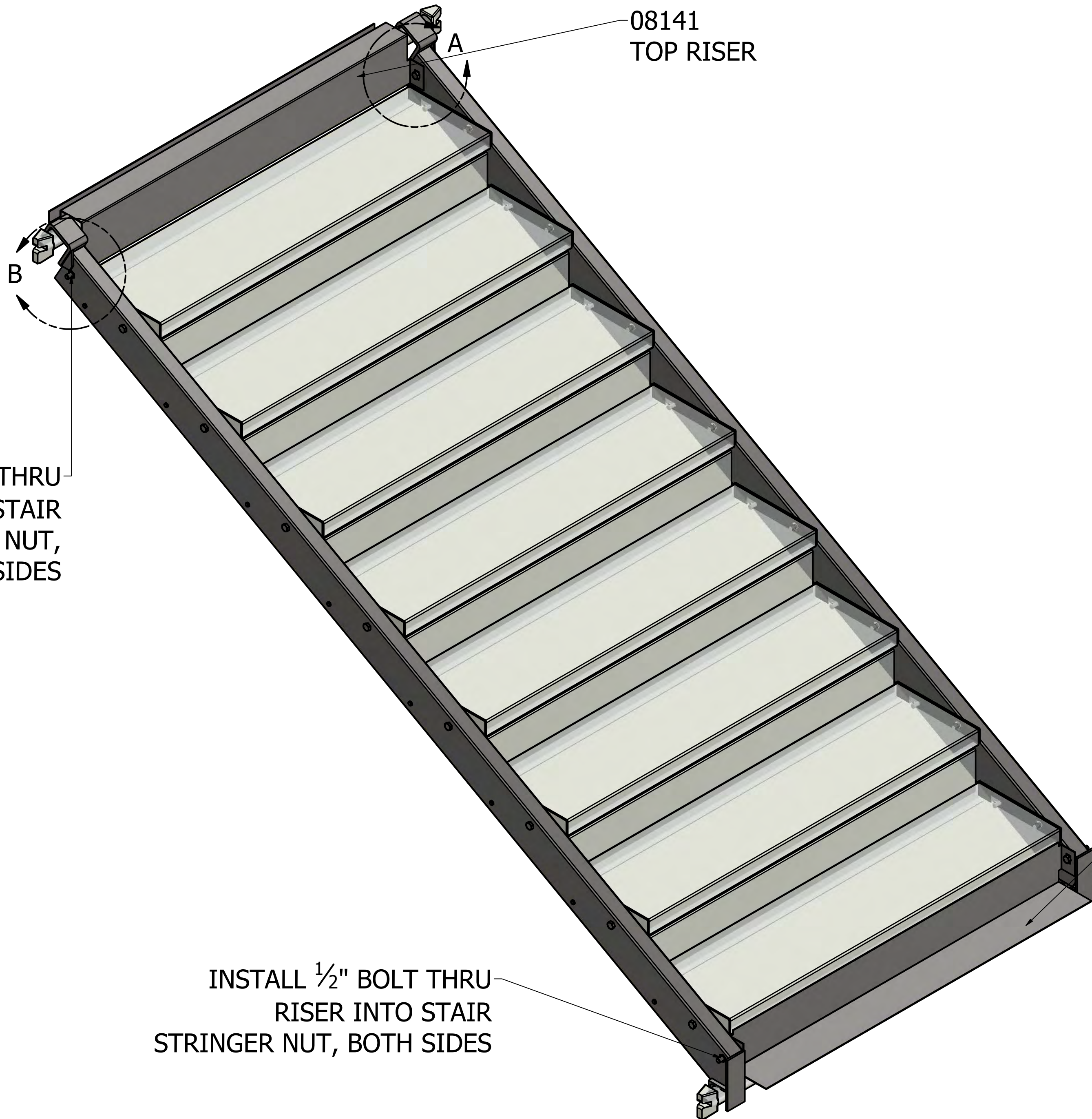
INSTALL UST40T-IBC  
TOP TREAD AS  
ILLUSTRATED ON PAGES 8-9

INSTALL  $\frac{1}{2}$ " BOLT THRU STRINGER  
INTO STAIR TREAD NUT, BOTH SIDES.  
TIGHTEN ALL BOLTS AFTER FINAL TREAD  
AND RISERS ARE INSTALLED

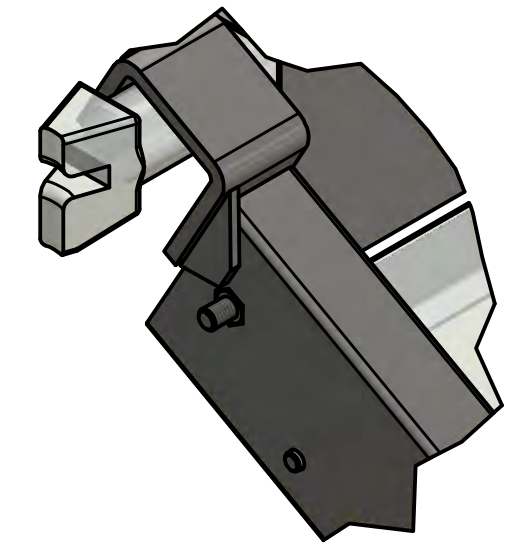




NOTE: TIGHTEN ALL  
BOLTS AFTER FINAL  
TREAD AND RISERS  
ARE INSTALLED



DETAIL A



DETAIL B

INSTALL 1/2" BOLT THRU  
RISER INTO STAIR  
STRINGER NUT,  
BOTH SIDES

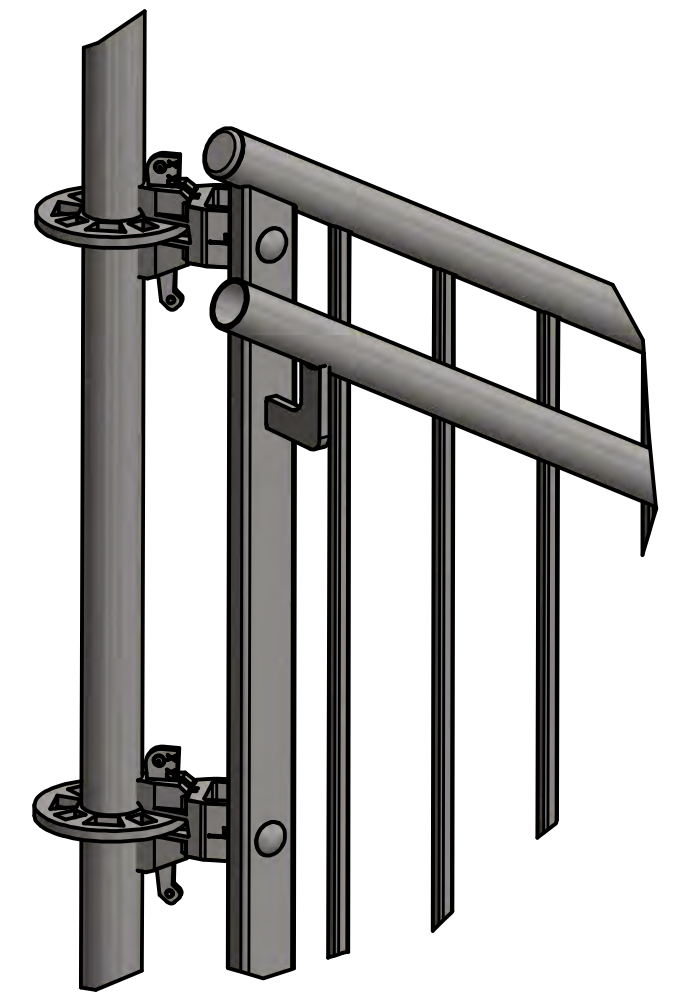
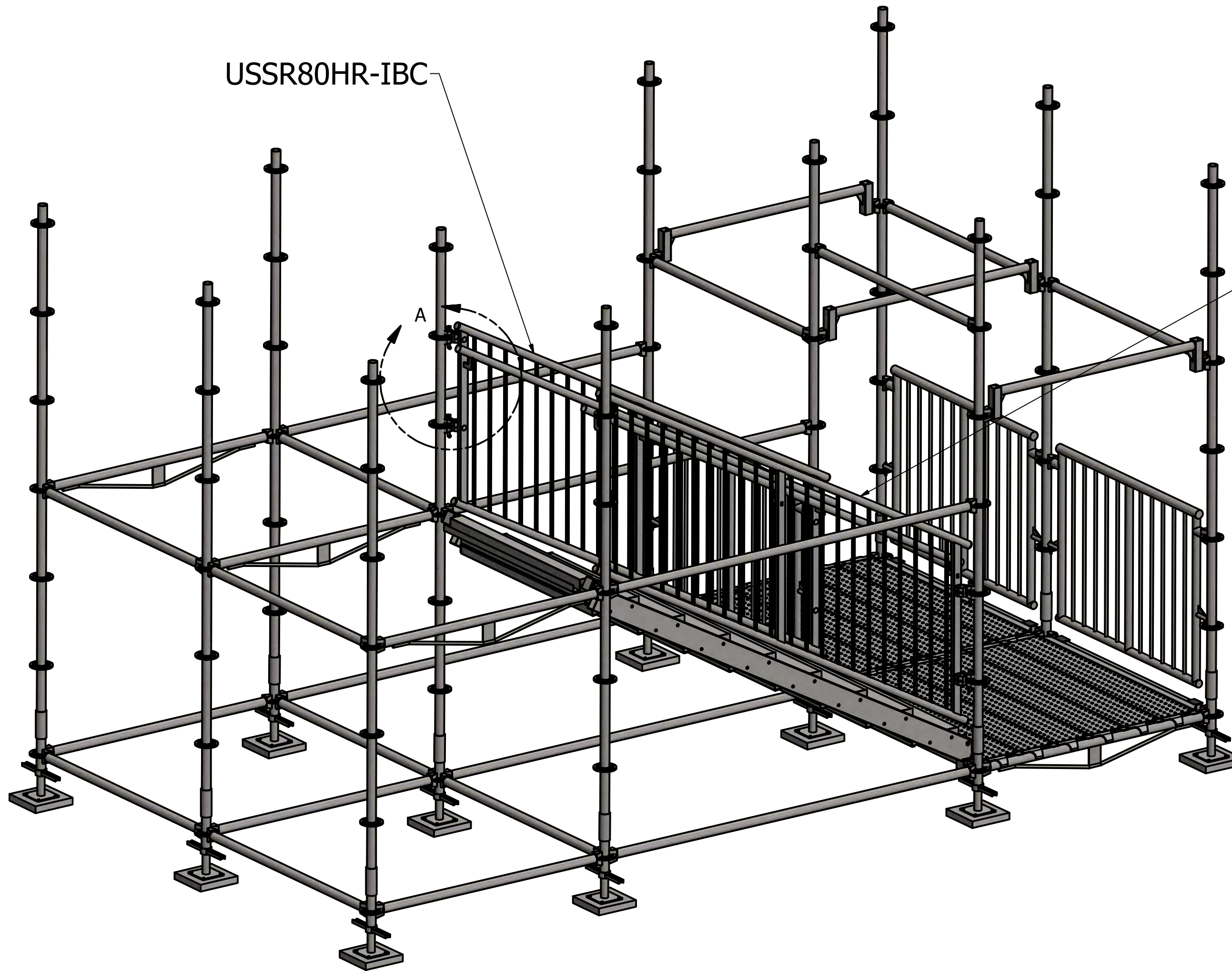
INSTALL 1/2" BOLT THRU  
RISER INTO STAIR  
STRINGER NUT, BOTH SIDES

08142  
BOTTOM RISER





STEP 7





**STEP 8**

STEEL PLANK TO SET  
INSIDE TOP RISER RETURN

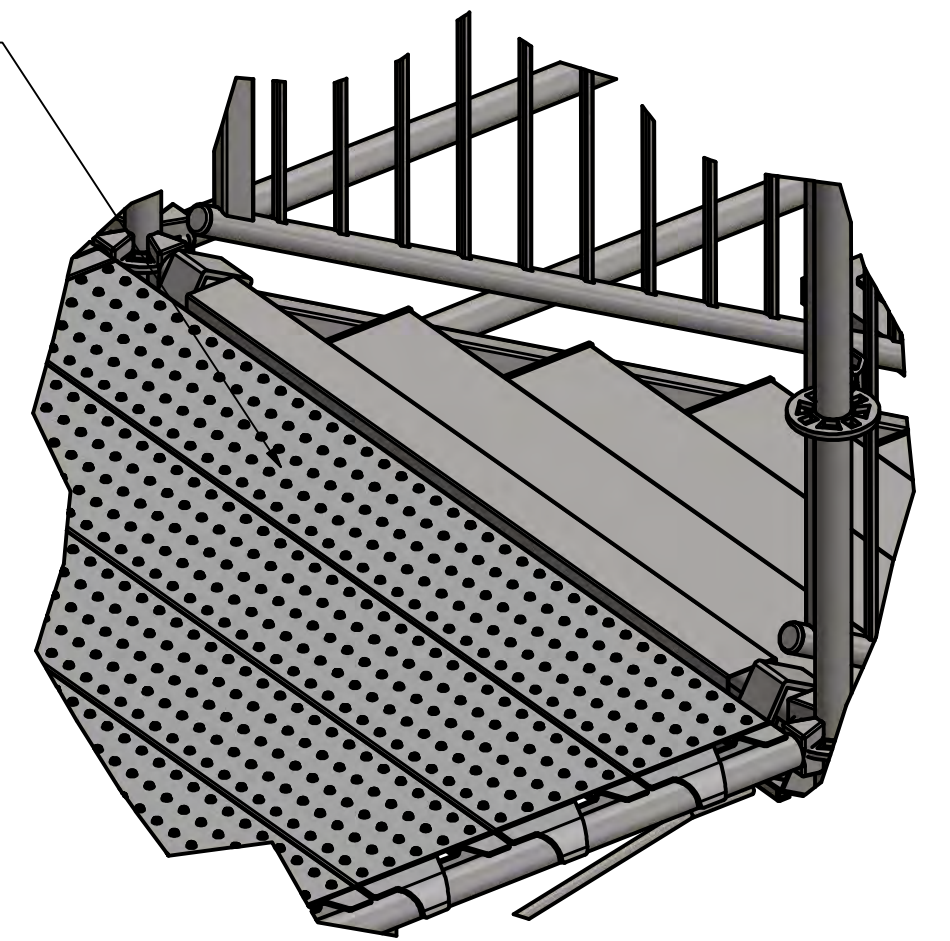
8' DIAGONAL  
(BOTH SIDES)

(5) 5' LONG X 9" WIDE  
LOW PROFILE STEEL PLANK

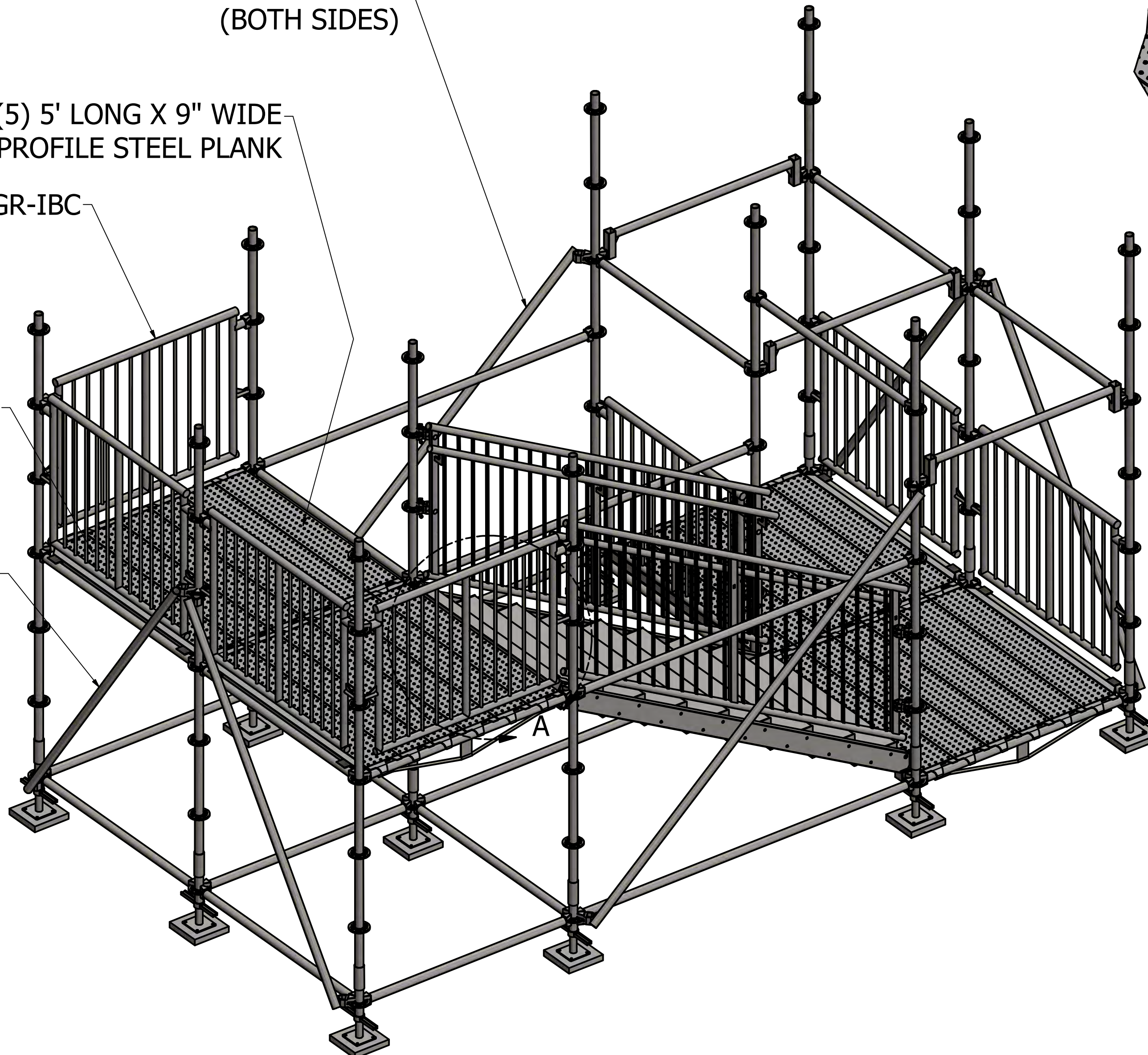
UH50GR-IBC

(1) USP50ADG-IBC

5' DIAGONAL  
(BOTH ENDS)

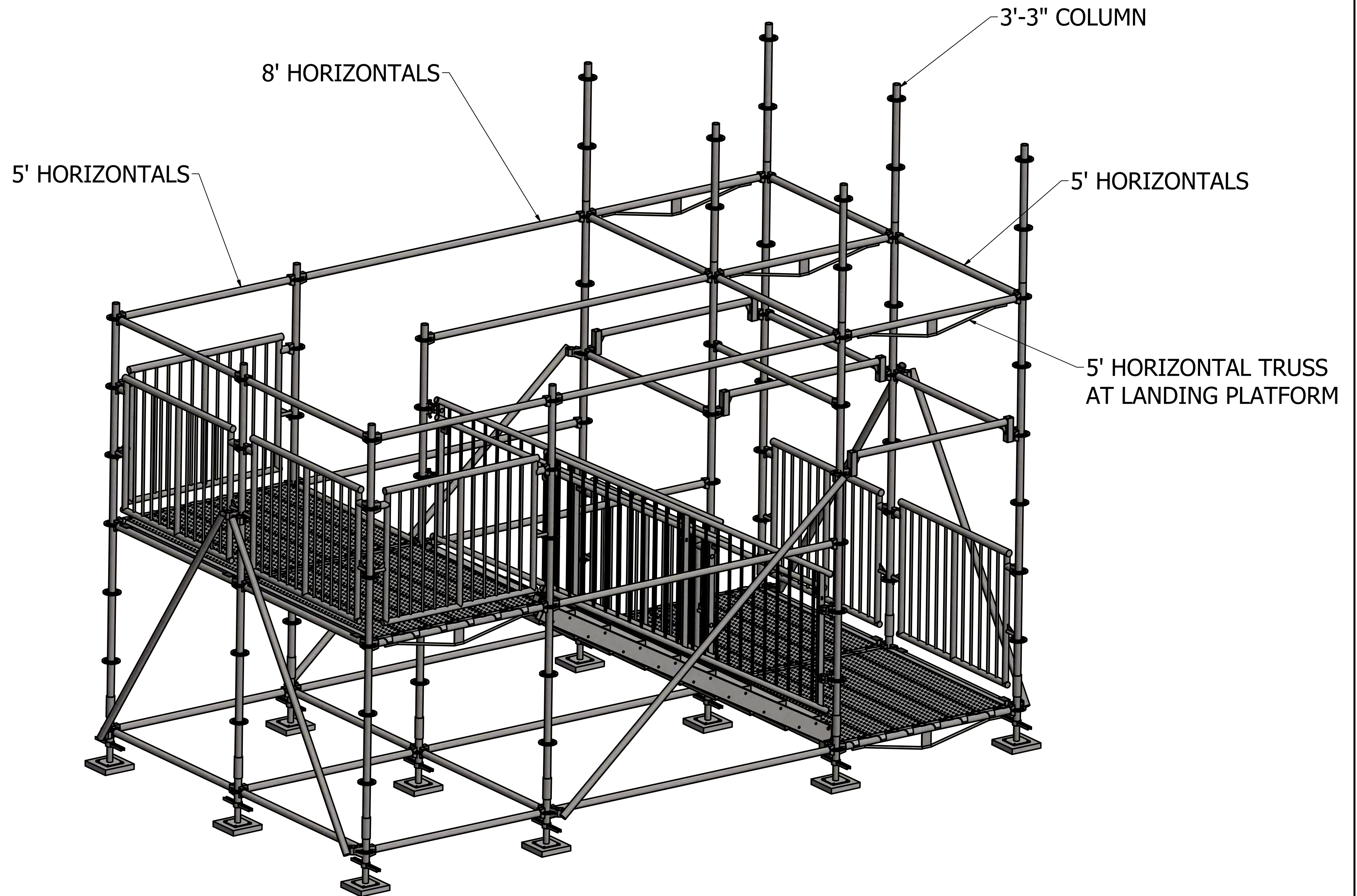


DETAIL A



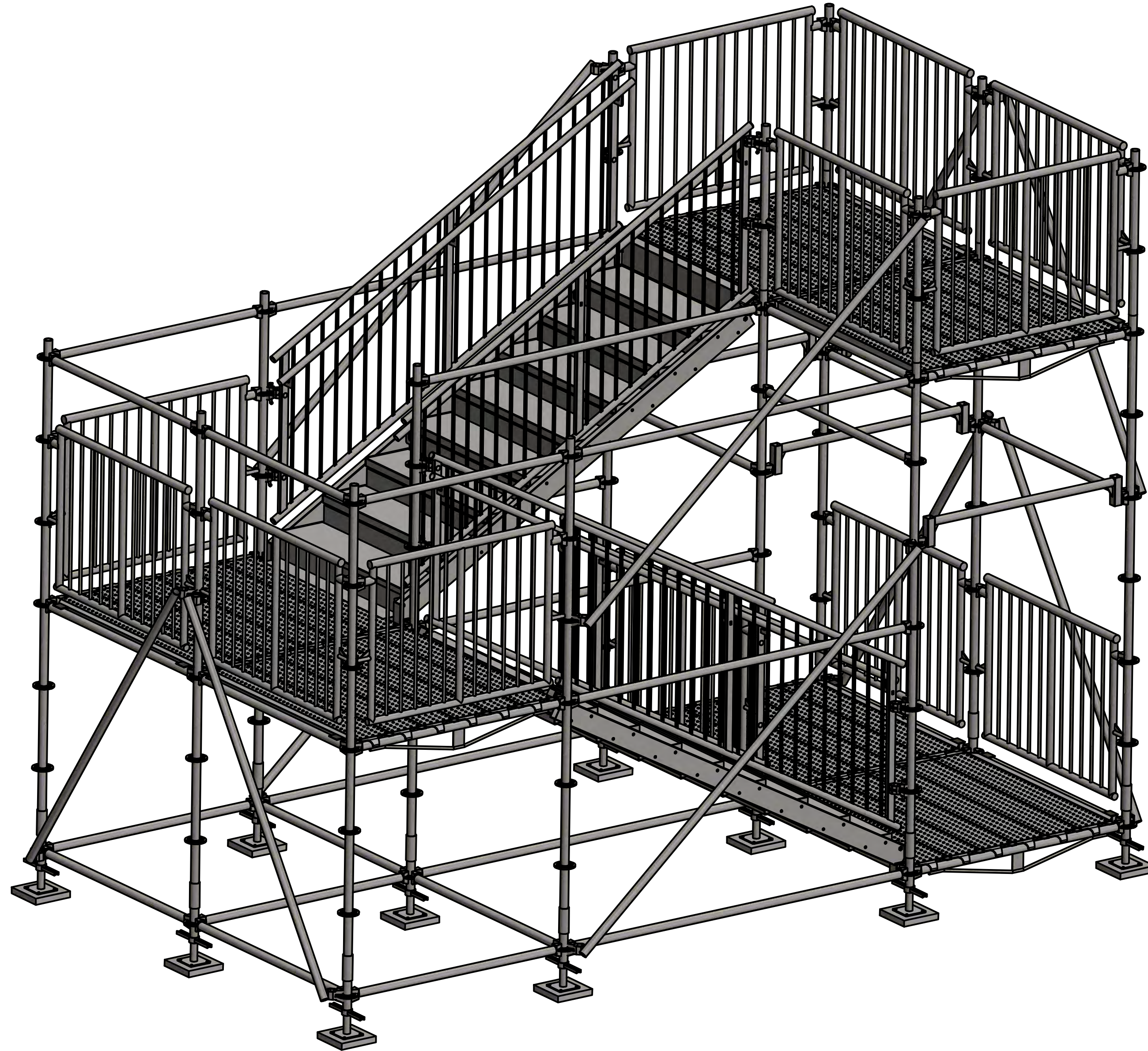


STEP 9



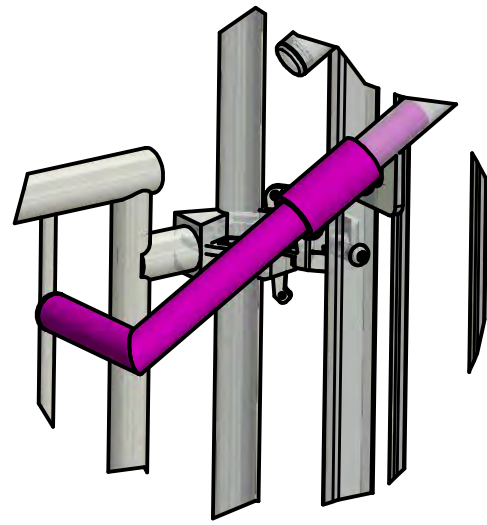


STEP 10

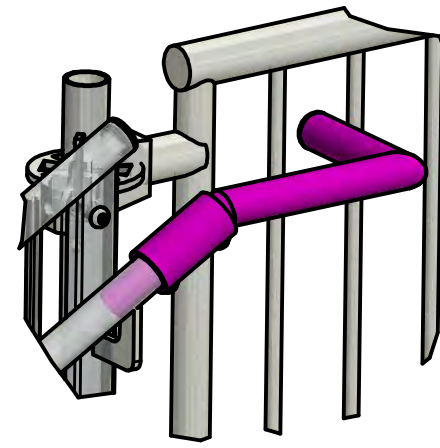




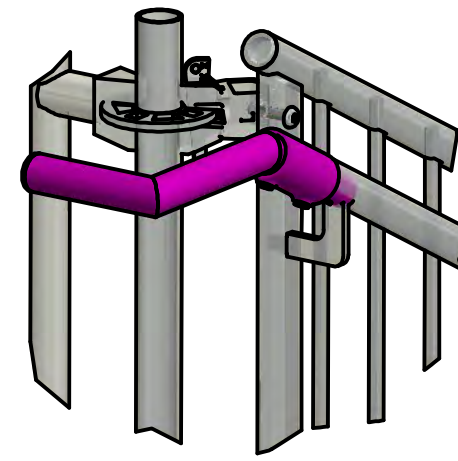
**STEP 11**



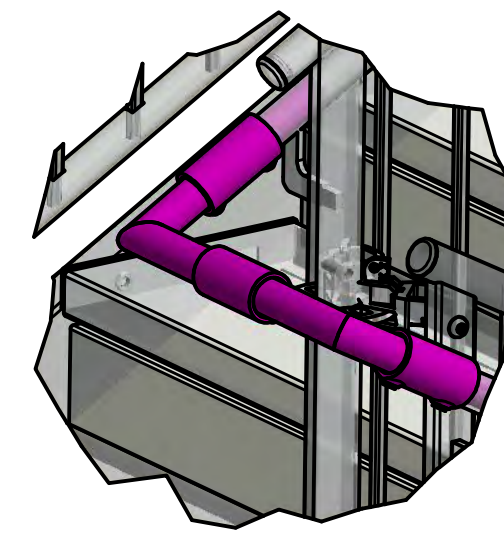
DETAIL A  
USSEHRBC-IBC



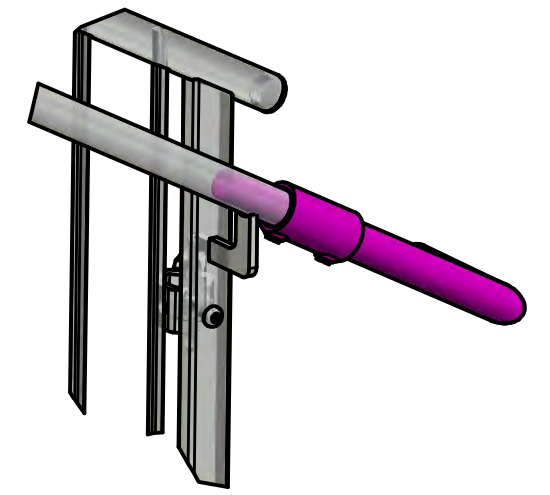
DETAIL B  
USSEHRTLIC-IBC



DETAIL C  
USSEHRTRC-IBC

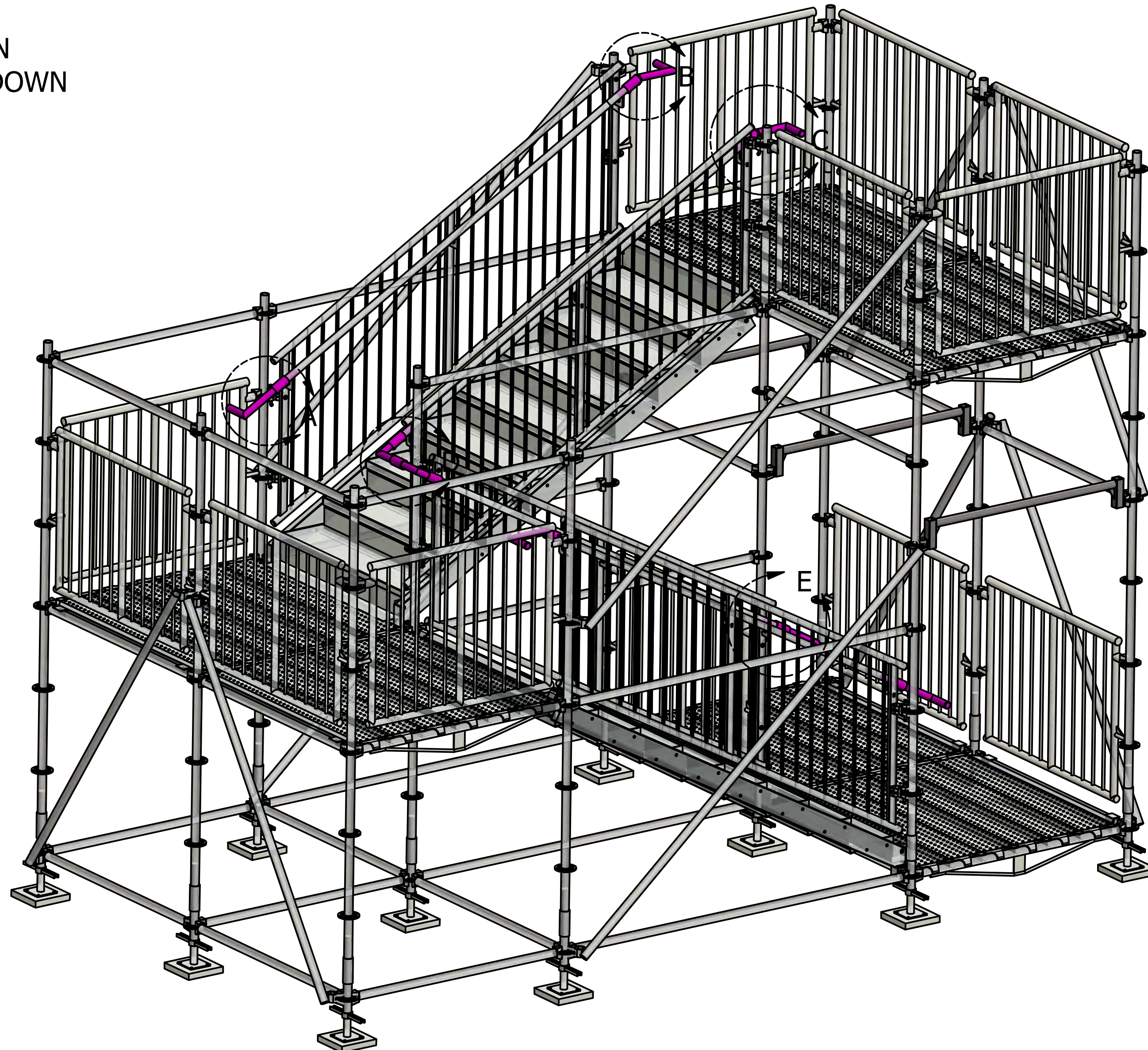


DETAIL D  
USSIHR-IBC

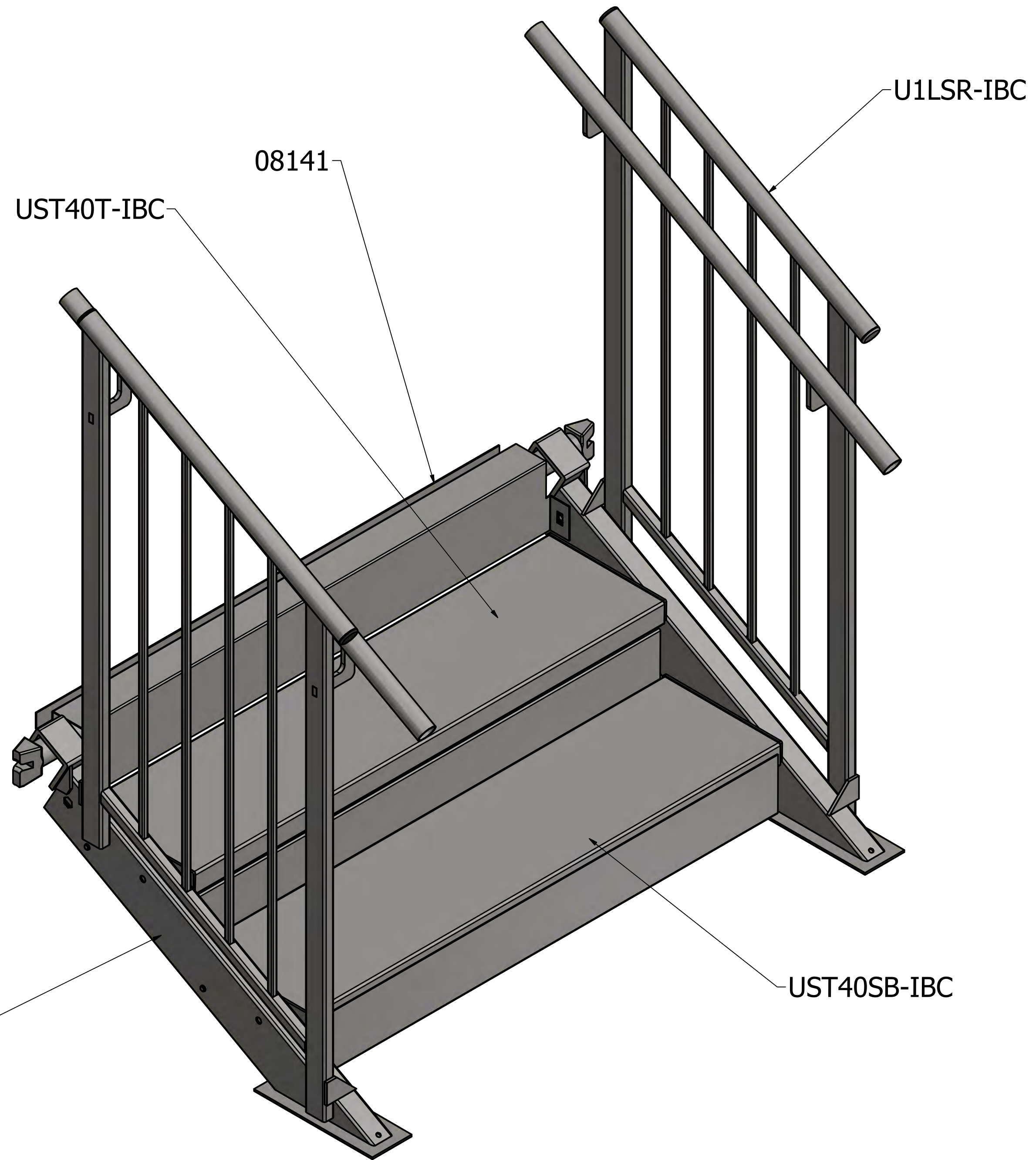


DETAIL E  
USSEHRBC-IBC

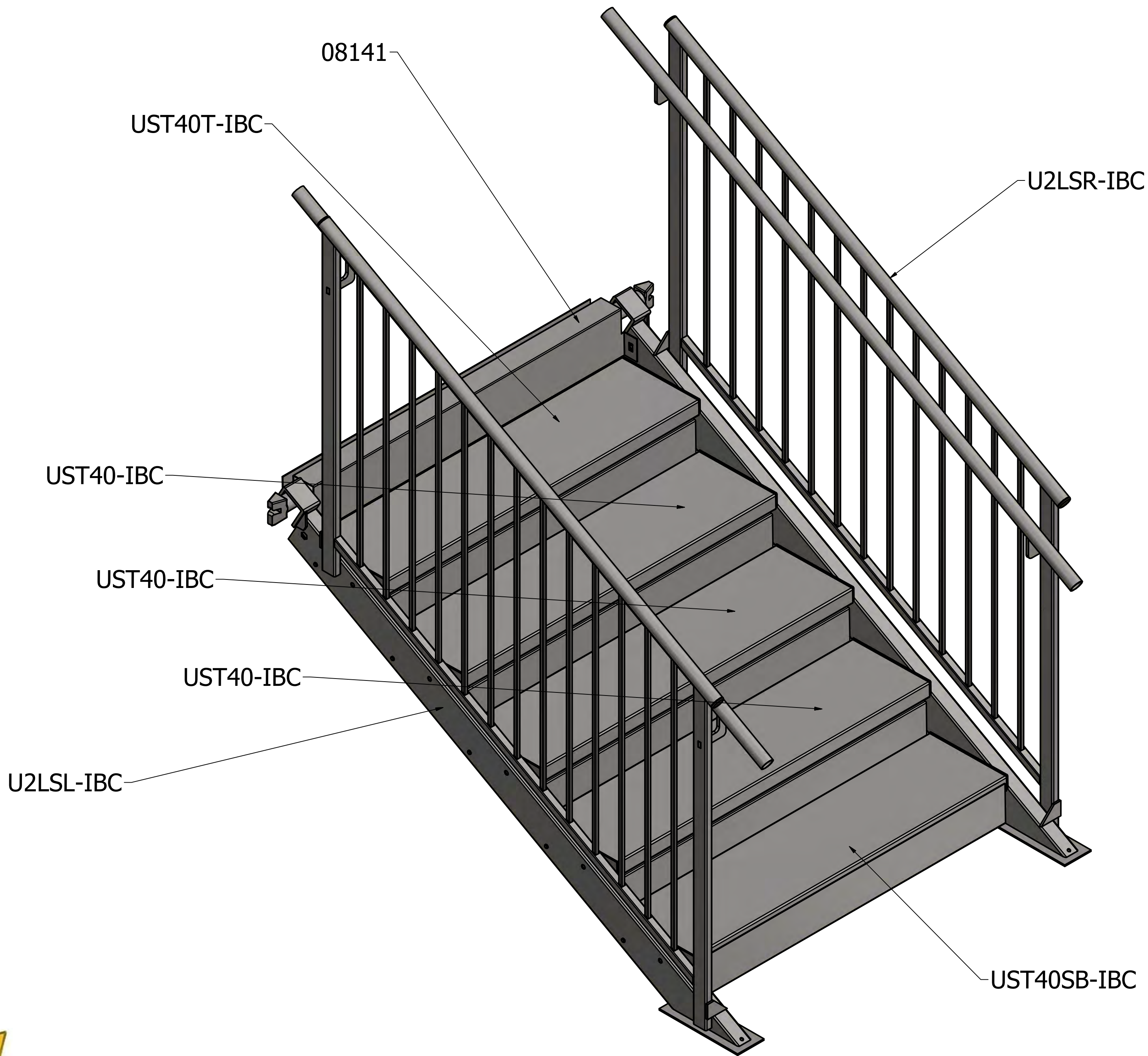
NOTE: SET SCREW ON  
KEE KLAMP TO FACE DOWN











## PARTS LIST

PART NUMBER	DESCRIPTION	WEIGHT
08141	TOP IBC RISER	17 LBS
08142	IBC BOTTOM RISER	12 LBS
U1LSL-IBC	LEFT 1 ROSETTE LANDING STRINGER WITH HANDRAIL	53 LBS
U1LSR-IBC	RIGHT 1 ROSETTE LANDING STRINGER WITH HANDRAIL	53 LBS
U2LSL-IBC	LEFT 2 ROSETTE LANDING STRINGER WITH HANDRAIL	88 LBS
U2LSR-IBC	RIGHT 2 ROSETTE LANDING STRINGER WITH HANDRAIL	88 LBS
UH50GR-IBC	5'-0" IBC GUARDRAIL	43 LBS
USP50ADG-IBC	5'-0" "A" STYLE STEEL END PLANK	38 LBS
USSEHRBC-IBC	EXTERNAL HANDRAIL BOTTOM CORNER	5 LBS
USSEHRTL-IBC	EXTERNAL HANDRAIL TOP LEFT CORNER	4 LBS
USSEHRTRC-IBC	EXTERNAL HANDRAIL TOP RIGHT CORNER	4 LBS
USSIHRC-IBC	INTERNAL HANDRAIL CONNECTOR	5 LBS
USSL80HR-IBC	8' LEFT STAIR HANDRAIL	107 LBS
USSL80-IBC	8' LEFT STAIR STRINGER	58 LBS
USSR80HR-IBC	8' RIGHT STAIR HANDRAIL	107 LBS
USSR80-IBC	8' RIGHT STAIR STRINGER	58 LBS
UST40-IBC	4'-0' TYPICAL STAIR TREAD	38 LBS
UST40SB-IBC	4'-0' STARTER BOTTOM STAIR TREAD	43 LBS
UST40T-IBC	4'-0' TOP STAIR TREAD	31 LBS
UH50HB-IBC	5'-0" HORIZ. HEAD BAR	17 LBS